

SPECIFICATION DATA



BASIC SELF-PRIMING CENTRIFUGAL PUMP



Model: T4D60S-B

Various Patents Apply

Pump Specifications

| | |
|-------------------------------------|--|
| Size | 4" x 4" (101 mm x 101 mm) NPT - Female |
| Impeller Type | Semi-Open, Two Vane |
| Solids-Handling Capability | 1 1/2" (38,1 mm) Spherical Diameter |
| Seal Type | Cartridge Type, Mechanical, Oil-Lubricated, Double Floating, Self-Aligning |
| Radial Bearing | Open Single Row Ball |
| Thrust Bearing | Open Double Row Ball |
| Bearing and Seal Cavity Lubrication | SAE 30 Non-Detergent Oil |
| Maximum Operating Pressure | 120 psi (827 kPa)* |
| Max Temp of Liquid Pumped | 160°F (71°C).* |

Pump Materials

| | |
|----------------------------------|--|
| Casing | Gray Iron 30 |
| Impeller | Ductile Iron 65-45-12 |
| Impeller Shaft | Alloy Steel 4150 |
| Shaft Sleeve | Alloy Steel 4130 |
| Seal: Stationary Face | Silicon Carbide |
| Rotating Face | Silicon Carbide |
| Elastomer | Fluorocarbon FKM, (Viton® or Equivalent) |
| Replaceable Wear Plate: | Gray Iron 30 |
| Removable Adjustable Cover Plate | Gray Iron 30 |
| Removable Inspection Cover Plate | Gray Iron 30 – 12 lbs. (5,4 kg.) |
| Flap Valve | Neoprene with Nylon and Steel Reinforcing |
| Seal Plate | Gray Iron 30 |
| Bearing Housing | Gray Iron 30 |
| Flanges | Gray Iron 30 |
| Gaskets | Buna-N, Compressed Synthetic Fiber, Vegetable Fiber, PTFE, Cork and Rubber |
| O-Rings | Buna-N, Fluorocarbon (Viton® or Equivalent) |
| Hardware | Standard Plated Steel |

*Consult Factory for Applications Exceeding Maximum Pressure and/or Temperature Indicated.

Standard Equipment: Brass Pressure Relief Valve, Bearing and Seal Cavity Oil Level Sight Gauges.

Optional Equipment: Automatic Air Release Valve, Metal Bellows Seal, Stainless Steel 316 Pressure Relief Valve, 120V/240V Casing Heater, High Pump Temperature Shutdown Kit, Drain Kit, Gauge Kit.

Suction and Discharge Spool Flanges:

4" ASA (Specify Model T4D60S-B /F)

100 mm DIN 2527 – PN 16 (Specify Model T4D60S-B /FM).



Shown with Optional Suction and Discharge Spool Flanges (Available in ASA or DIN Standard Sizes).

Super T Series Features and Benefits

Easy To Service And Maintain - Pump is mounted above liquid being pumped with only the suction line down in liquid.

Dual Bearing Protection – An atmospheric barrier along with two lip seals provide additional protection of the pump bearings (not available on 2" models).

Inspection Cover – Patented, lightweight inspection cover for easy access to the impeller without removing the entire backcover plate or piping (2" – 8" models).

5 Year Super T Series Warranty

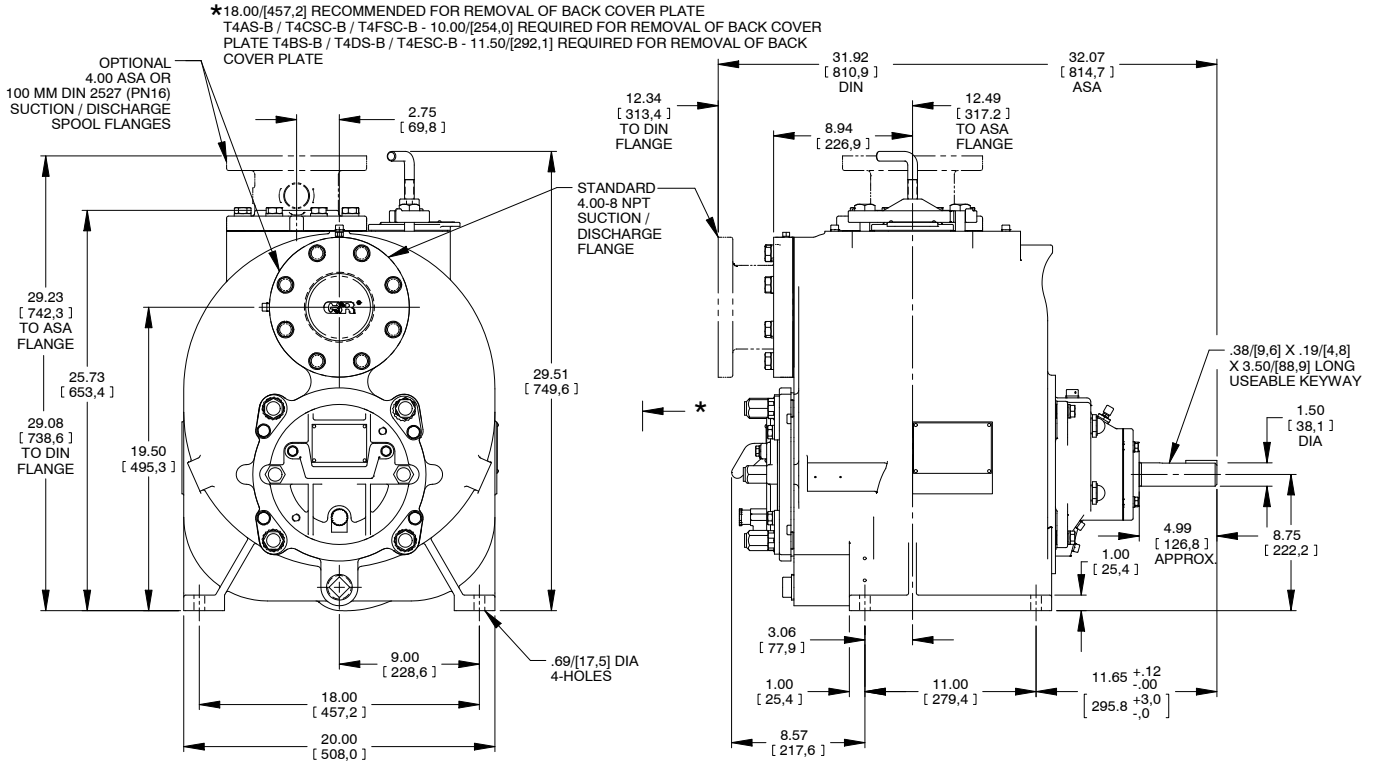
Up To 3" Diameter Spherical Solids Handling (4" – 10" models).

Removable Rotating Assembly – The entire rotating assembly can be removed without disturbing the pump volute or piping allowing the rotating assembly to be easily repaired or quickly replaced with a new ready to drop in assembly.

APPROXIMATE DIMENSIONS AND WEIGHTS

| | |
|------------------------|----------------------------|
| NET WEIGHT | 615 LBS. (279 KG.)* |
| SHIPPING WEIGHT | 680 LBS. (308 KG.)* |
| EXPORT CRATE | 22.7 CU. FT. (0,64 CU. M.) |

*Add 15 LBS. (6,8 KG.) w/each spool flange



NOTE: OPTIONAL ASA OR DIN STANDARD SUCTION & DISCHARGE SPOOL FLANGES AVAILABLE

