

**INSTALLATION, OPERATION,  
AND MAINTENANCE MANUAL**  
WITH PARTS LIST



**SUPER T SERIES® PUMP**

MODEL
<b>T10C71SC-B Including /FM</b>

**GORMAN-RUPP PUMPS**

[www.grpumps.com](http://www.grpumps.com)

Register your new  
Gorman-Rupp pump online at  
**www.grpumps.com**

Valid serial number and e-mail address required.

**RECORD YOUR PUMP MODEL AND SERIAL NUMBER**

Please record your pump model and serial number in the spaces provided below. Your Gorman-Rupp distributor needs this information when you require parts or service.

Pump Model: \_\_\_\_\_

Serial Number: \_\_\_\_\_

# TABLE OF CONTENTS

<b>INTRODUCTION</b> .....	<b>PAGE I – 1</b>
<b>SAFETY – SECTION A</b> .....	<b>PAGE A – 1</b>
<b>INSTALLATION – SECTION B</b> .....	<b>PAGE B – 1</b>
Pump Dimensions .....	PAGE B – 1
PREINSTALLATION INSPECTION .....	PAGE B – 1
POSITIONING PUMP .....	PAGE B – 2
Lifting .....	PAGE B – 2
Mounting .....	PAGE B – 2
SUCTION AND DISCHARGE PIPING .....	PAGE B – 2
Materials .....	PAGE B – 2
Line Configuration .....	PAGE B – 2
Connections to Pump .....	PAGE B – 2
Gauges .....	PAGE B – 3
SUCTION LINES .....	PAGE B – 3
Fittings .....	PAGE B – 3
Strainers .....	PAGE B – 3
Sealing .....	PAGE B – 3
Suction Lines In Sumps .....	PAGE B – 3
Suction Line Positioning .....	PAGE B – 3
DISCHARGE LINES .....	PAGE B – 4
Siphoning .....	PAGE B – 4
Valves .....	PAGE B – 4
Bypass Lines .....	PAGE B – 4
AUTOMATIC AIR RELEASE VALVE .....	PAGE B – 6
Theory of Operation .....	PAGE B – 6
Air Release Valve Installation .....	PAGE B – 6
ALIGNMENT .....	PAGE B – 7
Coupled Drives .....	PAGE B – 8
V-Belt Drives .....	PAGE B – 8
<b>OPERATION – SECTION C</b> .....	<b>PAGE C – 1</b>
PRIMING .....	PAGE C – 1
STARTING .....	PAGE C – 1
OPERATION .....	PAGE C – 1
Lines With a Bypass .....	PAGE C – 1
Lines Without a Bypass .....	PAGE C – 1
Leakage .....	PAGE C – 2
Liquid Temperature And Overheating .....	PAGE C – 2
Strainer Check .....	PAGE C – 2
Pump Vacuum Check .....	PAGE C – 2
STOPPING .....	PAGE C – 3
Cold Weather Preservation .....	PAGE C – 3
BEARING TEMPERATURE CHECK .....	PAGE C – 3
<b>TROUBLESHOOTING – SECTION D</b> .....	<b>PAGE D – 1</b>
PREVENTIVE MAINTENANCE .....	PAGE D – 3

**TABLE OF CONTENTS**  
**(continued)**

<b>PUMP MAINTENANCE AND REPAIR – SECTION E .....</b>	<b>PAGE E – 1</b>
PERFORMANCE CURVE .....	PAGE E – 1
PARTS LISTS:	
Pump Model .....	PAGE E – 3
Repair Rotating Assembly .....	PAGE E – 5
PUMP AND SEAL DISASSEMBLY AND REASSEMBLY .....	PAGE E – 6
Cleanout Access And Suction Check Valve Removal .....	PAGE E – 6
Suction Head And Wear Plate Removal .....	PAGE E – 7
Rotating Assembly Removal .....	PAGE E – 7
Impeller Removal .....	PAGE E – 8
Seal Removal And Disassembly .....	PAGE E – 8
Shaft and Bearing Removal and Disassembly .....	PAGE E – 8
Shaft and Bearing Reassembly and Installation .....	PAGE E – 9
Seal Reassembly and Installation .....	PAGE E – 11
Impeller Installation .....	PAGE E – 14
Rotating Assembly Installation .....	PAGE E – 14
Suction Head And Wear Plate Installation .....	PAGE E – 15
Suction Check Valve Installation .....	PAGE E – 15
PRESSURE RELIEF VALVE MAINTENANCE .....	PAGE E – 15
LUBRICATION .....	PAGE E – 15
Seal Assembly .....	PAGE E – 15
Bearings .....	PAGE E – 16

## INTRODUCTION

**Thank You** for purchasing a Gorman-Rupp pump. **Read this manual** carefully to learn how to safely install and operate your pump. Failure to do so could result in personal injury or damage to the pump.

Because pump installations are seldom identical, this manual cannot possibly provide detailed instructions and precautions for every aspect of each specific application. Therefore, it is the responsibility of the owner/installer of the pump to ensure that applications not addressed in this manual are performed **only** after establishing that neither operator safety nor pump integrity are compromised by the installation. Pumps and related equipment **must** be installed and operated according to all national, local and industry standards.

If there are any questions regarding the pump or its application which are not covered in this manual or in other literature accompanying this unit, please contact your Gorman-Rupp distributor, or The Gorman-Rupp Company:

**The Gorman-Rupp Company**  
**P.O. Box 1217**  
**Mansfield, Ohio 44901-1217**  
**Phone: (419) 755-1011**  
 or:  
**Gorman-Rupp of Canada Limited**  
**70 Burwell Road**  
**St. Thomas, Ontario N5P 3R7**  
**Phone: (519) 631-2870**

For information or technical assistance on the power source, contact the power source manufacturer's local dealer or representative.

## HAZARD AND INSTRUCTION DEFINITIONS

The following are used to alert maintenance personnel to procedures which require special attention, to those which could damage equipment, and to those which could be dangerous to personnel:



**Immediate hazards which WILL result in severe personal injury or death. These instructions describe the procedure required and the injury which will result from failure to follow the procedure.**



**Hazards or unsafe practices which COULD result in severe personal injury or death. These instructions describe the procedure required and the injury which could result from failure to follow the procedure.**



Hazards or unsafe practices which COULD result in minor personal injury or product or property damage. These instructions describe the requirements and the possible damage which could result from failure to follow the procedure.

### NOTE

*Instructions to aid in installation, operation, and maintenance or which clarify a procedure.*

## SAFETY – SECTION A

This information applies to Super T Series basic pumps. Gorman-Rupp has no control over or particular knowledge of the power source which will be used. Refer to the manual accompanying the power source before attempting to begin operation.

Because pump installations are seldom identical, this manual cannot possibly provide detailed instructions and precautions for each specific application. Therefore, it is the owner/installer's responsibility to ensure that applications not addressed in this manual are performed only after establishing that neither operator safety nor pump integrity are compromised by the installation.



Before attempting to open or service the pump:

1. Familiarize yourself with this manual.
2. Disconnect or lock out the power source to ensure that the pump will remain inoperative.
3. Allow the pump to completely cool if overheated.
4. Check the temperature before opening any covers, plates, or plugs.
5. Close the suction and discharge valves.
6. Vent the pump slowly and cautiously.
7. Drain the pump.



This pump is designed to most non-volatile, non-flammable liquids containing specified entrained solids. Do not attempt to pump volatile, flam-

mable, or highly corrosive liquids which may damage the pump or endanger personnel as a result of pump failure.



Death or serious personal injury and damage to the pump or components can occur if proper lifting procedures are not observed. Make certain that hoists, chains, slings or cables are in good working condition and of sufficient capacity and that they are positioned so that loads will be balanced and the pump or components will not be damaged when lifting. Suction and discharge hoses and piping must be removed from the pump before lifting. Lift the pump or component only as high as necessary and keep personnel away from suspended objects.



After the pump has been positioned, make certain that the pump and all piping connections are tight, properly supported and secure before operation.



Do not operate the pump without shields and /or guards in place over the drive shafts, belts and/or couplings, or other rotating parts. Exposed rotating parts can catch clothing, fingers, or tools, causing severe injury to personnel.



Do not remove plates, covers, gauges,

pipe plugs, or fittings from an overheated pump. Vapor pressure within the pump can cause parts being disengaged to be ejected with great force. Allow the pump to completely cool before servicing.



Do not operate the pump against a closed discharge valve for long periods of time. If operated against a closed discharge valve, pump components will deteriorate, and the liquid could come to a boil, build pressure, and cause the pump casing to rupture or explode.



Do not attempt to disengage any part of an overheated pump unit. Vapor pres-

sure within the pump casing can eject these parts with great force when they are disengaged. Allow the pump to completely cool before servicing it.



Pumps and related equipment must be installed and operated according to all national, local and industry standards.



Overheated pumps can cause severe burns and injury. If overheating of the pump occurs:

1. Stop the pump immediately.
2. Allow the pump to completely cool.
3. Refer to instructions in this manual before restarting the pump.

## INSTALLATION – SECTION B

Review all SAFETY information in Section A.

Since pump installations are seldom identical, this section offers only general recommendations and practices required to inspect, position, and arrange the pump and piping.

Most of the information pertains to a standard **static lift application** where the pump is positioned above the free level of liquid to be pumped.

If installed in a **flooded suction application** where the liquid is supplied to the pump under pressure, some of the information such as mounting, line

configuration, and priming must be tailored to the specific application. Since the pressure supplied to the pump is critical to performance and safety, **be sure** to limit the incoming pressure to **50%** of the maximum permissible operating pressure as shown on the pump performance curve.

For further assistance, contact your Gorman-Rupp distributor or the Gorman-Rupp Company.

### Pump Dimensions

See Figure 1 for the approximate physical dimensions of this pump.

### OUTLINE DRAWING

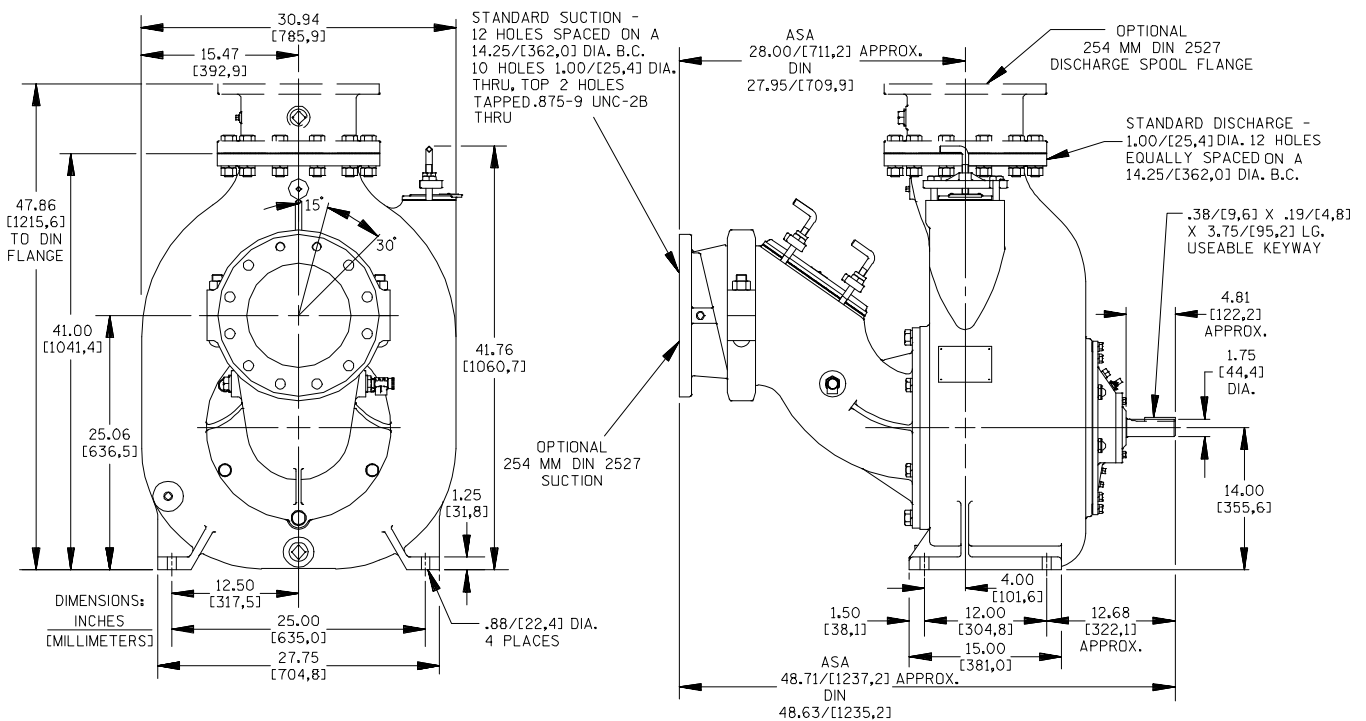


Figure 1. Pump Model T10C71SC-B, Including /FM

### PREINSTALLATION INSPECTION

The pump assembly was inspected and tested before shipment from the factory. Before installation, inspect the pump for damage which may have occurred during shipment. Check as follows:

- a. Inspect the pump for cracks, dents, damaged threads, and other obvious damage.

- b. Check for and tighten loose attaching hardware. Since gaskets tend to shrink after drying, check for loose hardware at mating surfaces.
- c. Carefully read all warnings and cautions contained in this manual or affixed to the pump, and perform all duties indicated. Note the direction of rotation indicated on the pump.



Check that the pump shaft rotates counter-clockwise when facing the impeller.



Only operate this pump in the direction indicated by the arrow on the pump body and on the accompanying decal. Refer to **Rotation** in **OPERATION**, Section C.

- d. Check levels and lubricate as necessary. Refer to **LUBRICATION** in the **MAINTENANCE AND REPAIR** section of this manual and perform duties as instructed.
- e. If the pump and power source have been stored for more than 12 months, some of the components or lubricants may have exceeded their maximum shelf life. These **must be inspected or replaced** to ensure maximum pump service.

If the maximum shelf life has been exceeded, or if anything appears to be abnormal, contact your Gorman-Rupp distributor or the factory to determine the repair or updating policy. **Do not** put the pump into service until appropriate action has been taken.

## POSITIONING PUMP



**Death or serious personal injury and damage to the pump or components can occur if proper lifting procedures are not observed. Make certain that hoists, chains, slings or cables are in good working condition and of sufficient capacity and that they are positioned so that loads will be balanced and the pump or components will not be damaged when lifting. Suction and discharge hoses and piping must be removed from the pump before lifting. Lift the pump or component only as high as**

**necessary and keep personnel away from suspended objects.**

### Lifting

Pump unit weights will vary depending on the mounting and drive provided. Check the shipping tag on the unit packaging for the actual weight, and use lifting equipment with appropriate capacity. Drain the pump and remove all customer-installed equipment such as suction and discharge hoses or piping before attempting to lift existing, installed units.

### Mounting

Locate the pump in an accessible place as close as practical to the liquid being pumped. Level mounting is essential for proper operation.

The pump may have to be supported or shimmed to provide for level operation or to eliminate vibration.

## SUCTION AND DISCHARGE PIPING

Pump performance is adversely effected by increased suction lift, discharge elevation, and friction losses. See the performance curve and operating range shown on Page E-1 to be sure your overall application allows the pump to operate within the safe operation range.

### Materials

Either pipe or hose may be used for suction and discharge lines; however, the materials must be compatible with the liquid being pumped. If hose is used in suction lines, it must be the rigid-wall, reinforced type to prevent collapse under suction. Using piping couplings in suction lines is not recommended.

### Line Configuration

Keep suction and discharge lines as straight as possible to minimize friction losses. Make minimum use of elbows and fittings, which substantially increase friction loss. If elbows are necessary, use the long-radius type to minimize friction loss.

### Connections to Pump

Before tightening a connecting flange, align it exactly with the pump port. Never pull a pipe line into

place by tightening the flange bolts and/or couplings.

Lines near the pump must be independently supported to avoid strain on the pump which could cause excessive vibration, decreased bearing life, and increased shaft and seal wear. If hose-type lines are used, they should have adequate support to secure them when filled with liquid and under pressure.

### Gauges

Most pumps are drilled and tapped for installing discharge pressure and vacuum suction gauges. If these gauges are desired for pumps that are not tapped, drill and tap the suction and discharge lines not less than 18 inches (457 mm) from the suction and discharge ports and install the lines. Installation closer to the pump may result in erratic readings.

## SUCTION LINES

To avoid air pockets which could affect pump priming, the suction line must be as short and direct as possible. When operation involves a suction lift, the line must always slope upward to the pump from the source of the liquid being pumped; if the line slopes down to the pump at any point along the suction run, air pockets will be created.

### Fittings

Suction lines should be the same size as the pump inlet. If reducers are used in suction lines, they should be the eccentric type, and should be installed with the flat part of the reducers uppermost to avoid creating air pockets. Valves are not normally used in suction lines, but if a valve is used, install it with the stem horizontal to avoid air pockets.

### Strainers

If a strainer is furnished with the pump, be certain to use it; any spherical solids which pass through a strainer furnished with the pump will also pass through the pump itself.

If a strainer is not furnished with the pump, but is installed by the pump user, make certain that the total area of the openings in the strainer is at least three or four times the cross section of the suction line, and that the openings will not permit passage of solids larger than the solids handling capability of the pump.

This pump is designed to handle up to 3-inch (76,2 mm) diameter spherical solids.

### Sealing

Since even a slight leak will affect priming, head, and capacity, especially when operating with a high suction lift, all connections in the suction line should be sealed with pipe dope to ensure an airtight seal. Follow the sealant manufacturer's recommendations when selecting and applying the pipe dope. The pipe dope should be compatible with the liquid being pumped.

### Suction Lines In Sumps

If a single suction line is installed in a sump, it should be positioned away from the wall of the sump at a distance equal to 1-1/2 times the diameter of the suction line.

If there is a liquid flow from an open pipe into the sump, the flow should be kept away from the suction inlet because the inflow will carry air down into the sump, and air entering the suction line will reduce pump efficiency.

If it is necessary to position inflow close to the suction inlet, install a baffle between the inflow and the suction inlet at a distance 1-1/2 times the diameter of the suction pipe. The baffle will allow entrained air to escape from the liquid before it is drawn into the suction inlet.

If two suction lines are installed in a single sump, the flow paths may interact, reducing the efficiency of one or both pumps. To avoid this, position the suction inlets so that they are separated by a distance equal to at least 3 times the diameter of the suction pipe.

### Suction Line Positioning

The depth of submergence of the suction line is critical to efficient pump operation. Figure 2 shows

recommended minimum submergence vs. velocity.

by installing a standard pipe increaser fitting at the end of the suction line. The larger opening size will reduce the inlet velocity. Calculate the required submergence using the following formula based on the increased opening size (area or diameter).

**NOTE**

The pipe submergence required may be reduced

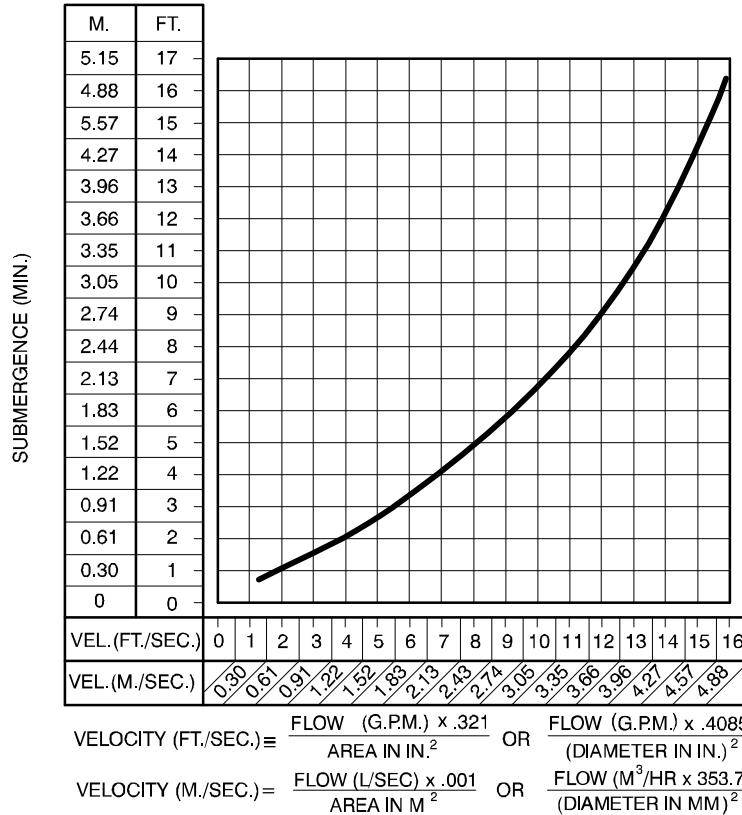


Figure 2. Recommended Minimum Suction Line Submergence vs. Velocity

**DISCHARGE LINES**

**Siphoning**

Do not terminate the discharge line at a level lower than that of the liquid being pumped unless a siphon breaker is used in the line. Otherwise, a siphoning action causing damage to the pump could result.

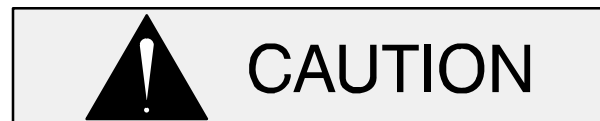
**Valves**

A check valve in the discharge line is normally recommended, but it is not necessary in low discharge head applications.

If a throttling valve is desired in the discharge line, use a valve as large as the largest pipe to minimize

friction losses. Never install a throttling valve in a suction line.

With high discharge heads, it is recommended that a throttling valve and a system check valve be installed in the discharge line to protect the pump from excessive shock pressure and reverse rotation when it is stopped.



If the application involves a high discharge head, gradually close the discharge throttling valve before stopping the pump.

**Bypass Lines**

If it is necessary to permit the escape of air to atmosphere during initial priming or in the repriming

cycle, install a bypass line between the pump and the discharge check valve. The bypass line should be sized so that it does not affect pump discharge capacity.

It is recommended that a Gorman-Rupp Automatic Air Release Valve be installed in the bypass line. Do not install a manual shut-off valve in a bypass line. If a manual shut-off valve is installed to facilitate service of the Air Release Valve, the valve must not be left closed during operation.

### NOTE

*The bypass line may clog occasionally, particularly when pumping liquids containing large solids. If clogging occurs, locate and remove the clog. If the clog is located between the discharge check valve and the Air Release Valve, the valve will not close. If the clog is located in the Relief Valve itself, or in the line between the Relief Valve and the sump, the valve will not open.*

Do not terminate the discharge line at a level lower than that of the liquid being pumped unless a siphon breaker is used in the line; otherwise, a siphoning action could result, causing damage to the pump.

In **low discharge head applications** (less than 30 feet or 9,1 meters), it is recommended that the bypass line be run back to the wet well, and located 6 inches (152,4 mm) below the water level or cut-off point of the low level pump. In some installations, this bypass line may be terminated with a six-to-eight foot length of 1-1/4 inch (31,8 mm) I.D. **smooth-bore** hose; air and liquid vented during the priming process will then agitate the hose and break up any solids, grease, or other substances likely to cause clogging.



A bypass line that is returned to a wet well must be secured against being drawn into the pump suction inlet.

It is also recommended that pipe unions be installed at each 90° elbow in a bypass line to ease disassembly and maintenance.

In **high discharge head applications** (more than 30 feet or 9,1 meters), an excessive amount of liquid may be bypassed and forced back to the wet well under the full working pressure of the pump; this will reduce overall pumping efficiency. **Therefore, it is recommended that a Gorman-Rupp Automatic Air Release Valve be installed in the bypass line.**

Gorman-Rupp Automatic Air Release Valves are reliable, and require minimum maintenance. See **AUTOMATIC AIR RELEASE VALVE** in this section for installation and theory of operation of the Automatic Air Release Valve. Consult your Gorman-Rupp distributor, or contact the Gorman-Rupp Company for selection of an Automatic Air Release Valve to fit your application.



**A manual shut-off valve should not be installed in any bypass line. A manual shut-off valve may inadvertently be left closed during operation. A pump which has lost prime may continue to operate without reaching prime, causing dangerous overheating and possible explosive rupture of the pump casing. Personnel could be severely injured.**

**Allow an over-heated pump to completely cool before servicing. Do not remove plates, covers, gauges, or fittings from an over-heated pump. Liquid within the pump can reach boiling temperatures, and vapor pressure within the pump can cause parts being disengaged to be ejected with great force. After the pump completely cools, drain the liquid from the pump by removing the casing drain plug. Use caution when removing the plug to prevent injury to personnel from hot liquid.**

### AUTOMATIC AIR RELEASE VALVE

When properly installed, a Gorman-Rupp Automatic Air Release Valve will permit air to escape through the bypass line and then close automatically when the pump is fully primed and pumping at full capacity.



## WARNING!

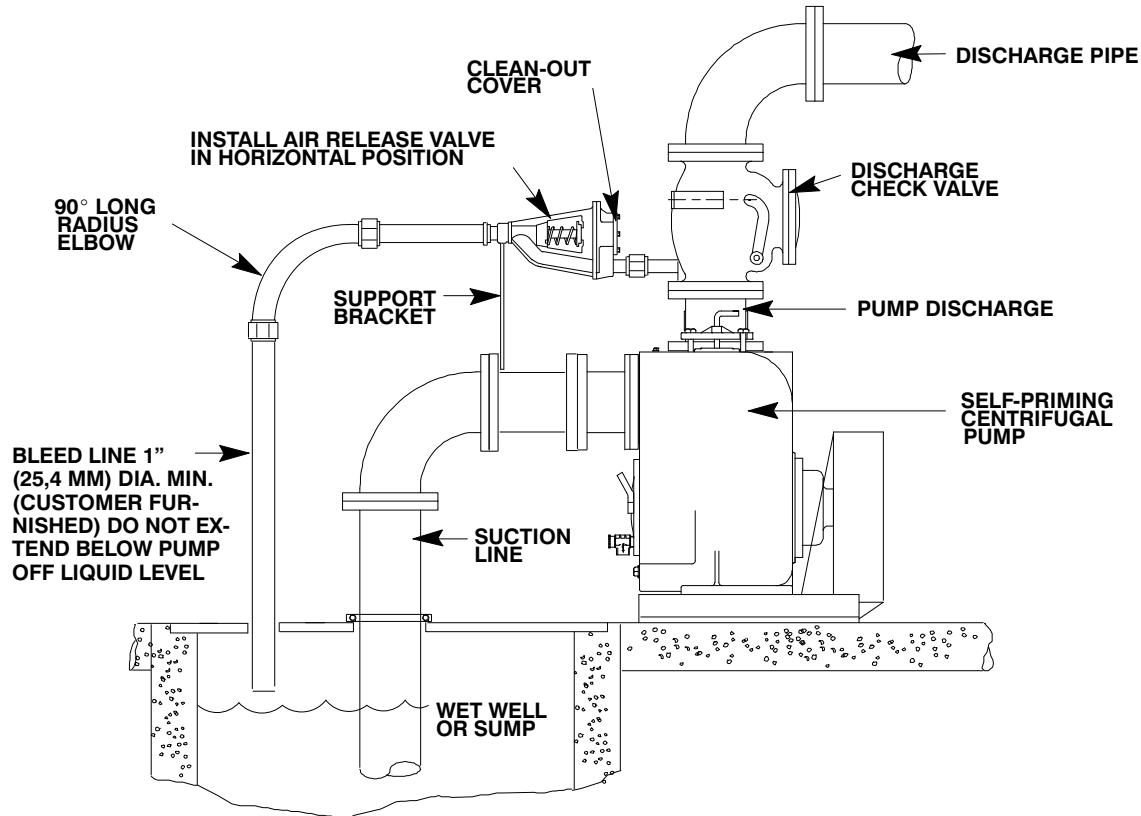
Some leakage (1 to 5 gallons [3.8 to 19 liters] per minute) will occur when the valve is fully closed. **Be sure the bypass line is directed back to the wet well or tank to prevent hazardous spills.**

Consult the manual accompanying the Air Release

Valve for additional information on valve installation and performance.

### Air Release Valve Installation

The Automatic Air Release Valve must be independently mounted in a horizontal position between the pump discharge port and the inlet side of the discharge check valve (see Figure 3). The inlet opening in the Air Release Valve is equipped with standard 1-inch NPT pipe threads.



**Figure 3. Typical Automatic Air Release Valve Installation**

Connect the valve outlet to a bleed line which slopes back to the wet well or sump. The bleed line must be the same size as the outlet opening or larger, depending on which Air Release Valve is being used. If **pipng** is used for the bleed line, avoid the use of elbows whenever possible.

### NOTE

*For multiple pump installations, it is recommended that each Air Release Valve be fitted with an independent bleeder line directed back to the wet well. If multiple Air Release Valves are installed in a system, **do not** direct bleeder lines to a common manifold pipe. Contact your Gorman-Rupp distributor or the Gorman-Rupp Company for information about*

*installation of an Automatic Air Release Valve for your specific application.*

### ALIGNMENT

The alignment of the pump and its power source is critical for trouble-free mechanical operation. In either a flexible coupling or V-belt driven system, the driver and pump must be mounted so that their shafts are aligned with and parallel to each other. It is imperative that alignment be checked after the pump and piping are installed, and before operation.

**NOTE**

Check **Rotation**, Section C, before final alignment of the pump.

When mounted at the Gorman-Rupp factory, driver and pump are aligned before shipment. Misalignment will occur in transit and handling. Pumps **must** be checked and realigned before operation. Before checking alignment, tighten the foundation bolts. The pump casing feet and/or pedestal feet, and the driver mounting bolts should also be tightly secured.



**When checking alignment, disconnect the power source to ensure that the pump will remain inoperative.**

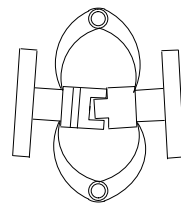


Adjusting the alignment in one direction may alter the alignment in another direction. check each procedure after altering alignment.

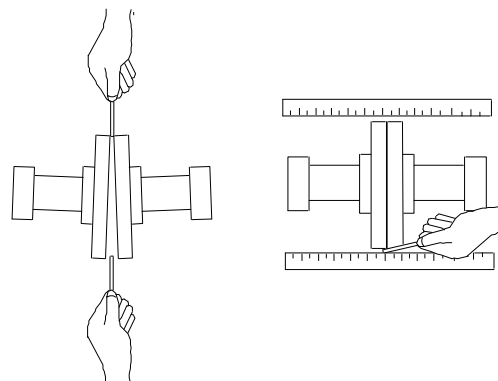
**Coupled Drives**

When using couplings, the axis of the power source must be aligned to the axis of the pump shaft in both the horizontal and vertical planes. Most couplings require a specific gap or clearance between the driving and the driven shafts. Refer to the coupling manufacturer's service literature.

Align spider insert type couplings by using calipers to measure the dimensions on the circumference of the outer ends of the coupling hub every 90°. The coupling is in alignment when the hub ends are the same distance apart at all points (see Figure 4).



**Figure 4. Aligning Spider-Type Couplings**



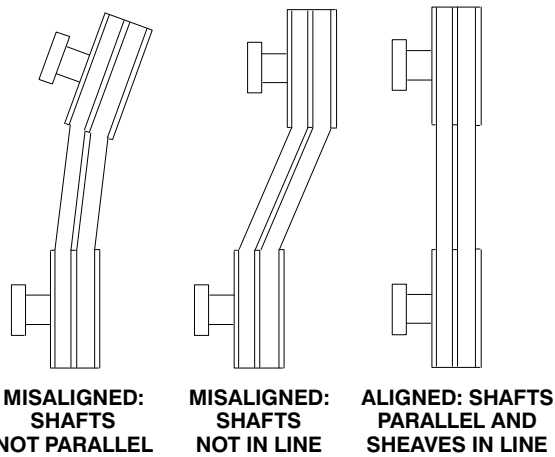
**Figure 5. Aligning Non-Spider Type Couplings**

Align non-spider type couplings by using a feeler gauge or taper gauge between the coupling halves every 90°. The coupling is in alignment when the hubs are the same distance apart at all points (see Figure 5).

Check parallel adjustment by laying a straightedge across both coupling rims at the top, bottom, and side. When the straightedge rests evenly on both halves of the coupling, the coupling is in horizontal parallel alignment. If the coupling is misaligned, use a feeler gauge between the coupling and the straightedge to measure the amount of misalignment.

**Drive Belts**

When using drive belts, the power source and the pump must be parallel. Use a straightedge along the sides of the pulleys to ensure that the pulleys are properly aligned (see Figure 6). In drive systems using two or more belts, make certain that the belts are a matched set; unmatched sets will cause accelerated belt wear.



**Figure 6. Alignment of V-Belt Driven Pumps**

Tighten the belts in accordance with the belt manufacturer's instructions. If the belts are too loose, they will slip; if the belts are too tight, there will be excessive power loss and possible bearing failure. Select pulleys that will match the proper speed ratio; overspeeding the pump may damage both pump and power source.



**Do not operate the pump without the**

**guard in place over the rotating parts. exposed rotating parts can catch clothing, fingers, or tools, causing severe injury to personnel.**

## DRIVE BELT TENSIONING

### General Rules of Tensioning

For new drive belts, check the tension after 5, 20 and 50 hours of operation and re-tension as required (see the following procedure for measuring belt tension). Thereafter, check and re-tension if required monthly or at 500 hour intervals, whichever comes first.

Ideal drive belt tension is the **lowest** tension at which the belt will not slip under peak load conditions. Do not over-tension drive belts. Over-tensioning will shorten both drive belt and bearing life. Under-tensioning will cause belt slippage. Always keep belts free from dirt, grease, oil and other foreign material which may cause slippage.

## OPERATION – SECTION C

Review all **SAFETY** information in Section A.

Follow the instructions on all tags, labels and decals attached to the pump.



**This pump is designed to handle sewage, wastewater, trash and slurries containing large entrained solids. Do not attempt to pump volatile, corrosive, or flammable materials which may damage the pump or endanger personnel as a result of pump failure.**



Pump speed and operating condition points must be within the continuous performance range shown on the curve. (See Section E, Page 1.)

### PRIMING

Install the pump and piping as described in **INSTALLATION**. Make sure that the piping connections are tight, and that the pump is securely mounted. Check that the pump is properly lubricated (see **LUBRICATION** in **MAINTENANCE AND REPAIR**).

This pump is self-priming, but the pump should never be operated unless there is liquid in the pump casing.



Never operate this pump unless there is liquid in the pump casing. The pump will not prime when dry. Extended operation of a dry pump will destroy the seal assembly.

Add liquid to the pump casing when:

1. The pump is being put into service for the first time.
2. The pump has not been used for a considerable length of time.
3. The liquid in the pump casing has evaporated.

Once the pump casing has been filled, the pump will prime and reprime as necessary.



**After filling the pump casing, reinstall and tighten the fill plug. Do not attempt to operate the pump unless all connecting piping is securely installed. Otherwise, liquid in the pump forced out under pressure could cause injury to personnel.**

To fill the pump, remove the pump casing fill cover or fill plug in the top of the casing, and add clean liquid until the casing is filled. Replace the fill cover or fill plug before operating the pump.

### STARTING

Consult the operations manual furnished with the power source.

### OPERATION

#### Lines With a Bypass

If a Gorman-Rupp Automatic Air Release Valve has been installed, the valve will automatically open to allow the pump to prime, and automatically close after priming is complete (see **INSTALLATION** for Air Release Valve operation).

If the bypass line is open, air from the suction line will be discharged through the bypass line back to the wet well during the priming cycle. Liquid will then continue to circulate through the bypass line while the pump is in operation.

#### Lines Without a Bypass

Open all valves in the discharge line and start the power source. Priming is indicated by a positive



reading on the discharge pressure gauge or by a quieter operation. The pump may not prime immediately because the suction line must first fill with liquid. If the pump fails to prime within five minutes, stop it and check the suction line for leaks.

After the pump has been primed, partially close the discharge line throttling valve in order to fill the line slowly and guard against excessive shock pressure which could damage pipe ends, gaskets, sprinkler heads, and any other fixtures connected to the line. When the discharge line is completely filled, adjust the throttling valve to the required flow rate.



**Do not operate the pump against a closed discharge throttling valve for long periods of time. If operated against a closed discharge throttling valve, pump components will deteriorate, and the liquid could come to a boil, build pressure, and cause the pump casing to rupture or explode.**

### Leakage

No leakage should be visible at pump mating surfaces, or at pump connections or fittings. Keep all line connections and fittings tight to maintain maximum pump efficiency.

### Liquid Temperature And Overheating

The **maximum** liquid temperature for this pump is 160°F (71°C). Do not apply it at a higher operating temperature.

Overheating can occur if operated with the valves in the suction or discharge lines closed. Operating against closed valves could bring the liquid to a boil, build pressure, and cause the pump to rupture or explode. If overheating occurs, stop the pump and allow it to cool before servicing it. Refill the pump casing with cool liquid.



**Do not remove plates, covers, gauges, pipe plugs, or fittings from an overheated pump. Vapor pressure within the pump can cause parts being disengaged to be ejected with great force. Allow the pump to completely cool before servicing.**

As a safeguard against rupture or explosion due to heat, this pump is equipped with a pressure relief valve which will open if vapor pressure within the pump casing reaches a critical point. If overheating does occur, stop the pump immediately and allow it to cool before servicing it. **Approach any overheated pump cautiously.** It is recommended that the pressure relief valve assembly be replaced at each overhaul, or any time the pump casing overheats and activates the valve. **Never** replace this valve with a substitute which has not been specified or provided by the Gorman-Rupp Company.

### Strainer Check

If a suction strainer has been shipped with the pump or installed by the user, check the strainer regularly, and clean it as necessary. The strainer should also be checked if pump flow rate begins to drop. If a vacuum suction gauge has been installed, monitor and record the readings regularly to detect strainer blockage.

**Never** introduce air or steam pressure into the pump casing or piping to remove a blockage. This could result in personal injury or damage to the equipment. If backflushing is absolutely necessary, liquid pressure **must** be limited to 50% of the maximum permissible operating pressure shown on the pump performance curve.

### Pump Vacuum Check

With the pump inoperative, install a vacuum gauge in the system, using pipe dope on the threads. Block the suction line and start the pump. At operating speed the pump should pull a vacuum of 20 inches (508 mm) or more of mercury. If it does not, check for air leaks in the seal, gasket, or discharge valve.

Open the suction line, and read the vacuum gauge with the pump primed and at operation speed. Shut off the pump. The vacuum gauge reading will immediately drop proportionate to static suction lift, and should then stabilize. If the vacuum reading falls off rapidly after stabilization, an air leak exists. Before checking for the source of the leak, check the point of installation of the vacuum gauge.

## STOPPING

Never halt the flow of liquid suddenly. If the liquid being pumped is stopped abruptly, damaging shock waves can be transmitted to the pump and piping system. Close all connecting valves slowly.

On engine driven pumps, reduce the throttle speed slowly and allow the engine to idle briefly before stopping.



If the application involves a high discharge head, gradually close the discharge throttling valve before stopping the pump.

After stopping the pump, disconnect or lock out the power source or take other action to ensure that the pump will remain inoperative.

### Cold Weather Preservation

In below freezing conditions, drain the pump to prevent damage from freezing. Also, clean out any solids by flushing with a hose. Operate the pump for approximately one minute; this will remove any

remaining liquid that could freeze the pump rotating parts. If the pump will be idle for more than a few hours, or if it has been pumping liquids containing a large amount of solids, drain the pump, and flush it thoroughly with clean water. To prevent large solids from clogging the drain port and preventing the pump from completely draining, insert a rod or stiff wire in the drain port, and agitate the liquid during the draining process. Clean out any remaining solids by flushing with a hose.

## BEARING TEMPERATURE CHECK

Bearings normally run at higher than ambient temperatures because of heat generated by friction. Temperatures up to 160°F (71°C) are considered normal for bearings, and they can operate safely to at least 180°F (82°C).

Checking bearing temperatures by hand is inaccurate. Bearing temperatures can be measured accurately by placing a contact-type thermometer against the housing. Record this temperature for future reference.

A sudden increase in bearing temperature is a warning that the bearings are at the point of failing to operate properly. Make certain that the bearing lubricant is of the proper viscosity and at the correct level (see **LUBRICATION in MAINTENANCE AND REPAIR**). Bearing overheating can also be caused by shaft misalignment and/or excessive vibration.

When pumps are first started, the bearings may seem to run at temperatures above normal. Continued operation should bring the temperatures down to normal levels.

## TROUBLESHOOTING – SECTION D

Review all SAFETY information in Section A.



Before attempting to open or service the pump:

1. Familiarize yourself with this manual.
2. Disconnect or lock out the power source, or take other action to ensure that the pump will remain inoperative.
3. Allow the pump to completely cool if overheated.
4. Vent the pump slowly and cautiously.
5. Close the suction and discharge valves.
6. Check the temperature before opening any covers, plates, or plugs.
7. Drain the pump.

TROUBLE	POSSIBLE CAUSE	PROBABLE REMEDY
PUMP FAILS TO PRIME	Not enough liquid in casing.  Suction check valve contaminated or damaged.  Air leak in suction line.  Lining of suction hose collapsed.  Leaking or worn seal or pump gasket.  Suction lift or discharge head too high.  Strainer clogged.	Add liquid to casing. See <b>PRIMING</b> .  Clean or replace check valve.  Correct leak.  Replace suction hose.  Check pump vacuum. Replace leaking or worn seal or gasket.  Check piping installation and install bypass line if needed. See <b>INSTALLATION</b> .  Check strainer and clean if necessary.
PUMP STOPS OR FAILS TO DELIVER RATED FLOW OR PRESSURE	Air leak in suction line.  Lining of suction hose collapsed.  Leaking or worn seal or pump gasket.  Strainer clogged.	Correct leak.  Replace suction hose.  Check pump vacuum. Replace leaking or worn seal or gasket.  Check strainer and clean if necessary.

TROUBLE	POSSIBLE CAUSE	PROBABLE REMEDY
PUMP STOPS OR FAILS TO DELIVER RATED FLOW OR PRESSURE (cont.)	<p>Suction intake not submerged at proper level or sump too small.</p> <p>Impeller or other wearing parts worn or damaged.</p> <p>Impeller clogged.</p> <p>Discharge head too high.</p> <p>Suction lift too high.</p> <p>Pump speed too slow.</p>	<p>Check installation and correct submergence as needed.</p> <p>Replace worn or damaged parts. Check that impeller is properly centered and rotates freely.</p> <p>Free impeller of debris.</p> <p>Install bypass line.</p> <p>Measure lift w/vacuum gauge. Reduce lift and/or friction losses in suction line.</p> <p>Check engine output; consult engine operation manual.</p>
PUMP REQUIRES TOO MUCH POWER	<p>Pump speed too high.</p> <p>Discharge head too low.</p> <p>Liquid solution too thick.</p> <p>Bearing(s) frozen.</p>	<p>Check engine output.</p> <p>Adjust discharge valve.</p> <p>Dilute if possible.</p> <p>Disassemble pump and check bearing(s).</p>
PUMP CLOGS FREQUENTLY	<p>Discharge flow too slow.</p> <p>Suction check valve or foot valve clogged or binding.</p> <p>Liquid solution too thick.</p>	<p>Open discharge valve fully to increase flow rate, and run engine at maximum governed speed.</p> <p>Clean valve.</p> <p>Dilute if possible.</p>
EXCESSIVE NOISE	<p>Cavitation in pump.</p> <p>Pumping entrained air.</p> <p>Pump or drive not securely mounted.</p> <p>Impeller clogged or damaged.</p>	<p>Reduce suction lift and/or friction losses in suction line. Record vacuum and pressure gauge readings and consult local representative or factory.</p> <p>Locate and eliminate source of air bubble.</p> <p>Secure mounting hardware.</p> <p>Clean out debris; replace damaged parts.</p>
BEARINGS RUN TOO HOT	<p>Bearing temperature is high, but within limits.</p> <p>Low or incorrect lubricant.</p> <p>Suction and discharge lines not properly supported.</p> <p>Drive misaligned.</p>	<p>Check bearing temperature regularly to monitor any increase.</p> <p>Check for proper type and level of lubricant.</p> <p>Check piping installation for proper support.</p> <p>Align drive properly.</p>

### PREVENTIVE MAINTENANCE

Since pump applications are seldom identical, and pump wear is directly affected by such things as the abrasive qualities, pressure and temperature of the liquid being pumped, this section is intended only to provide general recommendations and practices for preventive maintenance. Regardless of the application however, following a routine preventive maintenance schedule will help assure trouble-free performance and long life from your Gorman-Rupp pump. For specific questions concerning your application, contact your Gorman-Rupp distributor or the Gorman-Rupp Company.

Record keeping is an essential component of a good preventive maintenance program. Changes in suction and discharge gauge readings (if so

equipped) between regularly scheduled inspections can indicate problems that can be corrected before system damage or catastrophic failure occurs. The appearance of wearing parts should also be documented at each inspection for comparison as well. Also, if records indicate that a certain part (such as the seal) fails at approximately the same duty cycle, the part can be checked and replaced before failure occurs, reducing unscheduled down time.

For new applications, a first inspection of wearing parts at 250 hours will give insight into the wear rate for your particular application. Subsequent inspections should be performed at the intervals shown on the chart below. Critical applications should be inspected more frequently.

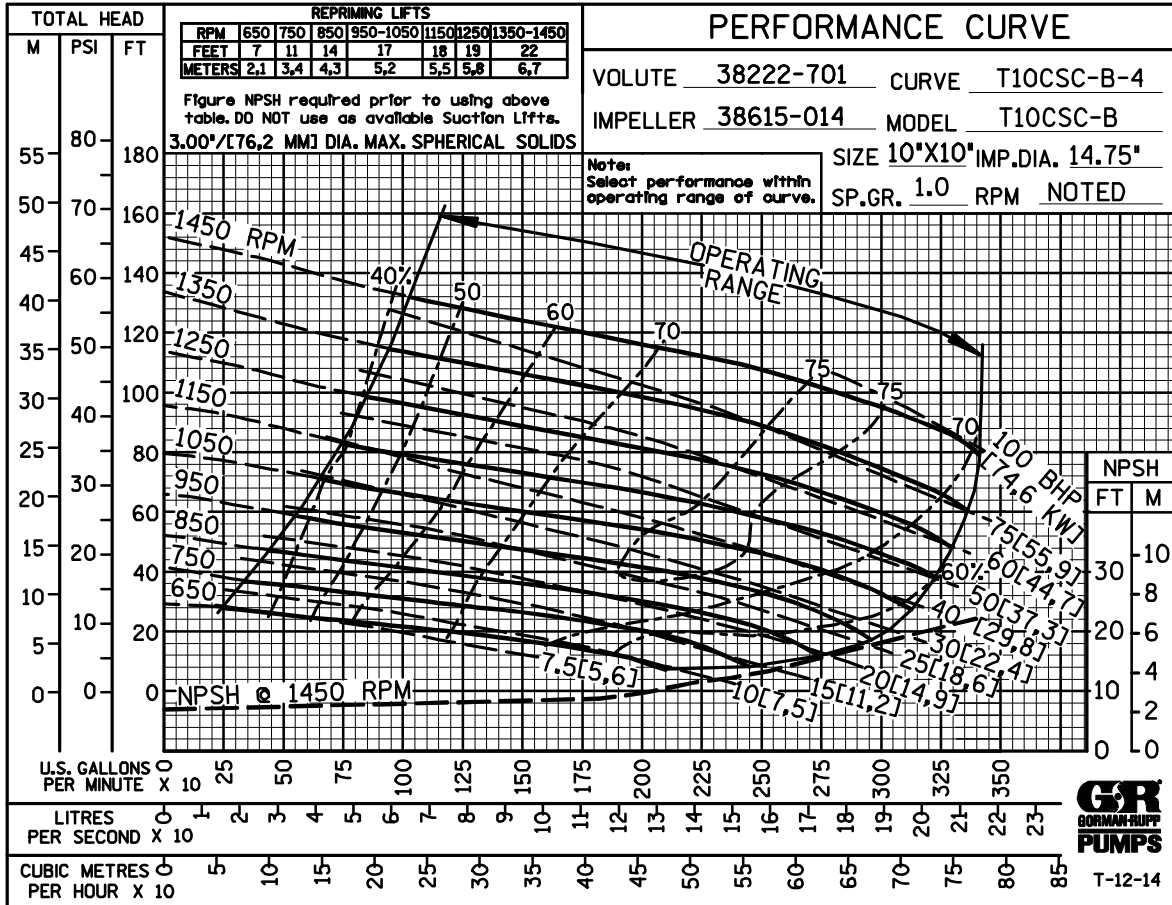
Preventive Maintenance Schedule					
Item	Service Interval*				
	Daily	Weekly	Monthly	Semi-Annually	Annually
General Condition (Temperature, Unusual Noises or Vibrations, Cracks, Leaks, Loose Hardware, Etc.)	I				
Pump Performance (Gauges, Speed, Flow)	I				
Bearing Lubrication		I			R
Seal Lubrication (And Packing Adjustment, If So Equipped)		I			R
V-Belts (If So Equipped)			I		
Air Release Valve Plunger Rod (If So Equipped)			I	C	
Front Impeller Clearance (Wear Plate)				I	
Rear Impeller Clearance (Seal Plate)				I	
Check Valve					I
Pressure Relief Valve (If So Equipped)					C
Pump and Driver Alignment					I
Shaft Deflection					I
Bearings					I
Bearing Housing					I
Piping					I
Driver Lubrication – See Mfgr’s Literature					I

Legend:  
 I = Inspect, Clean, Adjust, Repair or Replace as Necessary  
 C = Clean  
 R = Replace

\* Service interval based on an intermittent duty cycle equal to approximately 4000 hours annually. Adjust schedule as required for lower or higher duty cycles or extreme operating conditions.

## PUMP MAINTENANCE AND REPAIR – SECTION E

MAINTENANCE AND REPAIR OF THE WEARING PARTS OF THE PUMP WILL MAINTAIN PEAK OPERATING PERFORMANCE.



**\* STANDARD PERFORMANCE FOR PUMP MODEL T10C71SC-B, Including /FM**

\* Based on 70°F (21°C) clear water at sea level with minimum suction lift. Since pump installations are seldom identical, your performance may be different due to such factors as viscosity, specific gravity, elevation, temperature, and impeller trim.

If your pump serial number is followed by an "N", your pump is **NOT** a standard production model.

Contact the Gorman-Rupp Company to verify performance or part numbers.



Pump speed and operating condition points must be within the continuous performance range shown on the curve.

ILLUSTRATION

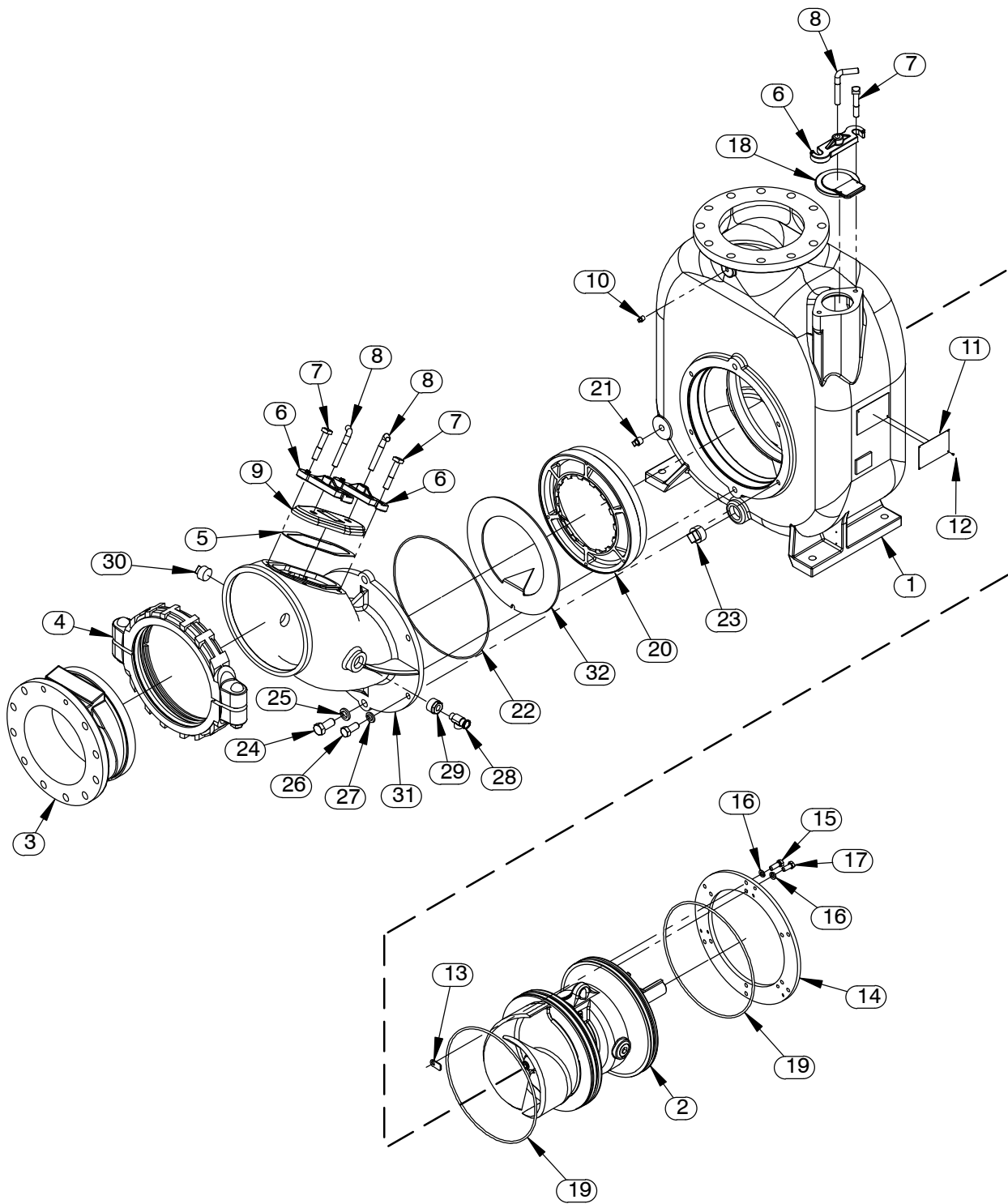


Figure E-1. Pump Model T10C71SC-B, Including /FM

**Pump Model T10C71SC-B, Including /FM  
PARTS LIST  
(From S/N 1590896 Up)**

If your pump serial number is followed by an "N", your pump is **NOT** a standard production model. Contact the Gorman-Rupp Company to verify part numbers.

ITEM NO.	PART NAME	PART NUMBER	QTY	ITEM NO.	PART NAME	PART NUMBER	QTY
☞ 1	PUMP CASING	SEE NOTE BELOW	1	29	REDUCER PIPE BUSHING	AP2008 11999	1
2	REPAIR ROTATING ASSY	44163-335	1	30	PIPE PLUG	P20 10009	1
3	CV HOUSING ASSY	46421-037	1	31	SUCTION HEAD	38246-609 10010	1
	-CHECK VALVE BODY	38341-805 10010	1	32 *	WEAR PLATE INSERT	38691-914 16170	1
	-PIPE PLUG	P08 15079	1	NOT SHOWN:			
*	-CHECK VALVE	46411-082 24010	1		DISCHARGE STICKER	6588BJ	1
	-PIVOT CAP	38141-003 11060	2		ROTATION DECAL	2613M	1
	-HEX HD CAPSCREW	B0606 17000	2		SUCTION STICKER	6588AG	1
	-LOCKWASHER	AK06 17000	2		PRIME STICKER	6588AH	1
	-FLAT WASHER	KB08 17090	2		LUBRICATION DECAL	38817-084	1
4	CPLG SHLDR TYPE	25552-213	1		INSTRUCTION LABEL	2613DK	1
5 *	GASKET- CLEANOUT CVR	38688-008 20000	1		WARNING DECAL	2613FE	1
6	CLAMP BAR	38111-004 11010	3		WARNING DECAL	38816-302	1
☞ 7	MACHINE BOLT	A1014 15991	6		G-R DECAL 6 IN	GR-06	1
8	SCREW-CLAMP BAR	31912-009 15000	3		INSTRUCTION TAG	38817-011	1
9	CLEANOUT COVER ASSY	48271-018	1		INSTRUCTION TAG	38817-025	1
	-WARNING PLATE	38816-097 13990	1		SUPER "T" DECAL	38812-089	1
	-DRIVE SCREW	BM#04-03 17000	1		ERADICATOR DECAL	38812-111	1
	-WARNING DECAL	2613FE	1	OPTIONAL:			
☞ 10	PIPE PLUG	P04 15079	1		DISASSEMBLY TOOL	12858	1
11	NAMEPLATE BLANK	38819-002 13000	1		DISCH SPOOL FLANGE	38642-607 10000	1
12	DRIVE SCREW	BM#04-03 17000	4		/FM METRIC FLANGE KIT	48213-084	1
13	SHIM SET	48261-056	6		CONT VANE WP INSERT	38691-884 15120	1
14	VOLUTE RING	31281-016 15990	1		CASING HEATERS:		
15	HEX HEAD CAP SCREW	B0806 15991	6		-120V	47811-014	1
16	LOCK WASHER	J08 15991	12		-240V	47811-015	1
17	HEX HEAD CAP SCREW	B0805 15991	6		CHECK VALVE ASSYS:		
18	FILL COVER PLATE ASSY	42111-344	1	✓	-VITON MOLDED	46411-081 24010	1
	-WARNING PLATE	38816-097 13990	1		PRESSURE RELIEF VALVES:		
	-DRIVE SCREW	BM#04-03 17000	2		-BRASS SEWAGE TYPE	46431-803	1
	-FILL COVER GASKET	50G 19210	1		HI TEMP SHUT-DOWN KITS:		
19 *	O-RING	S1914	2		-145°F	48313-186	1
20	WEAR PLATE	38691-879 1102H	1		-130°F	48313-256	1
☞ 21	PIPE PLUG	P08 15079	1		-120°F	48313-257	1
22 *	O-RING	25152-704	1		HT SHUT DOWN		
☞ 23	PIPE PLUG	P24 10009	1		THERMOSTAT KIT 145°F	48313-172	1
24	HEX HEAD CAP SCREW	B1408 15991	2		AIR RELEASE VALVES:		
25	LOCK WASHER	J14 15991	2		-10# COMP SPRING	GRP33-07A	1
26	HEX HEAD CAP SCREW	B1207 15991	4		-25# COMP SPRING	GRP33-07	1
27	LOCK WASHER	J12 15991	4		-80# COMP SPRING	GRP33-07B	1
28	PRESSURE RELIEF VALVE	26662-005	1		SEAL PLATE/BRG HOUSING O-RING:		
				✓	-VITON	25154-458	2

\* INDICATES PARTS RECOMMENDED FOR STOCK

☞ INCLUDED WITH REPAIR 46472-709 1  
PUMP CASING ASSY

✓ KALREZ® AND VITON™ ARE PRODUCTS OF THE DUPONT CORP

**COMPLETE GASKET/O-RING AND SHAFT REPAIR KITS AVAILABLE – CONSULT FACTORY.**



ILLUSTRATION

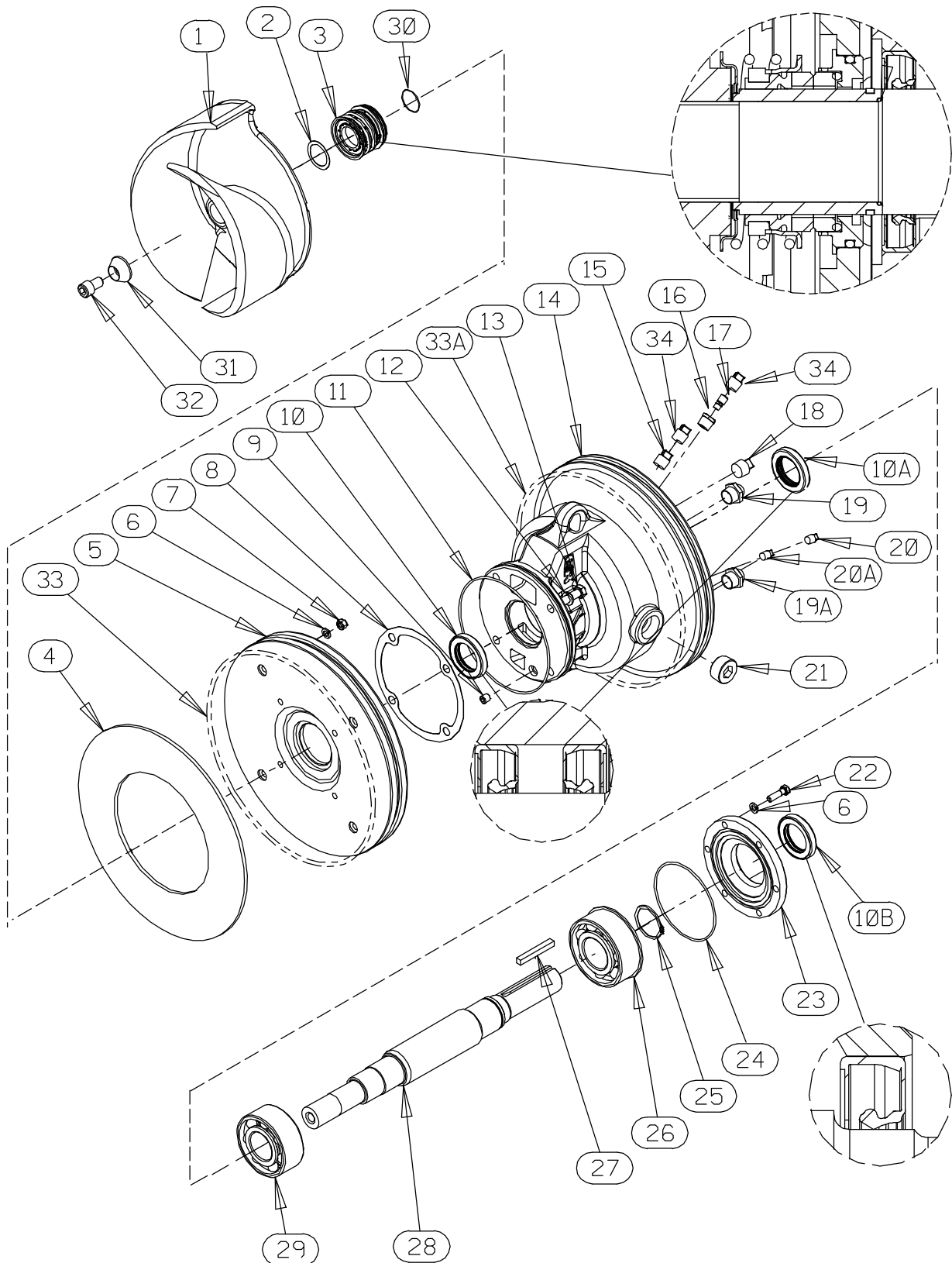


Figure E-2. 44163-335 Repair Rotating Assembly

**PARTS LIST**  
**44163-335 Repair Rotating Assembly**

ITEM NO.	PART NAME	PART NUMBER	QTY	ITEM NO.	PART NAME	PART NUMBER	QTY
1	IMPELLER	38615-014 1102H	1	26 *	BALL BEARING	23422-412	1
2	ADJ SHIM SET	5091 17090	1	27 *	KEY	N0612 15990	1
3 *	CART SEAL ASSY	46513-154	1	28	IMPELLER SHAFT	38514-566 1706H	1
4 *	WEAR PLATE ASSY	46451-722 24150	1	29 *	BALL BEARING	23421-461	1
5	SEAL PLATE	38272-423 1102H	1	30 *	O-RING	25154-026	1
6	LOCK WASHER	J06 15991	10	31	IMPELLER WASHER	10278 15030	1
7	HEX NUT	D06 15991	4	32	SOCK HD CAP SCREW	DM1004S 15991	1
8 *	GASKET	38684-302 19140	1	33 *	O-RING	S1914	1
9	SOC HD PIPE PLUG	PC04 15079	1	33A *	O-RING	S1914	1
10 *	OIL SEAL	S1917	1	34	SHIPPING PLUG	11495B 15079	2
10A *	OIL SEAL	S1917	1	NOT SHOWN:			
10B *	OIL SEAL	S1917	1		S/N PLATE	2613GG 13990	1
11 *	O-RING	25152-265	1		DRIVE SCREW	BM#04-03 17000	2
12	LOCK WASHER	J08 15991	4		INSTRUCTION TAG	6588U	1
13	HEX HEAD CAP SCREW	21632-945	4		ROTATION DECAL	2613M	1
14	BEARING HOUSING	38251-515 10000	1		SHIM SET	48261-056	6
15	VENTED PIPE PLUG	4823A 15079	1	OPTIONAL:			
16	REDUCER PIPE BUSHING	AP0802 15079	1		SST IMPELLER	38615-014 17070	1
17	AIR VENT	S1530	1		CONT VANE IMPELLER	38611-024 11010	1
18	PIPE PLUG	P12 15079	1		ADI IMPELLER	38615-014 1102H	1
19	SIGHT GAUGE	S1471	2		ADI SEAL PLATE	38272-423 1102H	1
20	SEAL CVTY DRAIN PLUG	P04 15079	1		SEAL PLATE/BRG HOUSING O-RING:		
20A	BRG CVTY DRAIN PLUG	P04 15079	1	✓	-VITON	25154-458	2
21	SOC HD PIPE PLUG	PC20 10009	1	†	METAL BELLOWS MECH SEAL ASSY		
22	HEX HEAD CAP SCREW	B0605-1/2 15991	6	† ★	AFLAS SEAL	46512-193	1
23	BEARING CAP	38322-415 10010	1	†	METAL BELLOWS MECH SEAL ASSY		
24 *	O-RING	S333	1	✓	(VITON OR EQUAL)	46512-192	1
25	RETAINING RING	S215	1	†	METAL BELLOWS MECH SEAL ASSY		
				✓	(KALREZ)	46512-183	1

\* INDICATES PARTS RECOMMENDED FOR STOCK

† OPTIONAL MECHANICAL SEAL **MUST** BE USED WITH MECHANICAL SEAL SHAFT SLEEVE OR /WWS SOLID SST SHAFT.

✓ KALREZ® AND VITON™ ARE PRODUCTS OF THE DUPONT CORP

★ AFLAS® IS A PRODUCT OF THE 3M CORP

**COMPLETE GASKET/O-RING AND SHAFT REPAIR KITS AVAILABLE – CONSULT FACTORY.**

## PUMP AND SEAL DISASSEMBLY AND REASSEMBLY

Review all SAFETY information in Section A.

Follow the instructions on all tags, label and decals attached to the pump.

This pump requires little service due to its rugged, minimum-maintenance design. However, if it becomes necessary to inspect or replace the wearing parts, follow these instructions which are keyed to the illustrations (see Figures E-1 and E-2) and the accompanying parts lists.

Many service functions may be performed by draining the pump and removing the suction head. If major repair is required, the piping and/or engine must be disconnected. The following instructions assume complete disassembly is required.

Before attempting to service the pump, disconnect or lock out the power source and take precautions to ensure that it will remain inoperative. Close all valves in the suction and discharge lines.

For power source disassembly and repair, consult the literature supplied with the power source, or contact your local power source representative.



This manual will alert personnel to known procedures which require special attention, to those which could damage equipment, and to those which could be dangerous to personnel. However, this manual cannot possibly anticipate and provide detailed instructions and precautions for every situation that might occur during maintenance of the unit. Therefore, it is the responsibility of the owner/maintenance personnel to ensure that only safe, established maintenance procedures are used, and that any procedures not addressed in this manual are performed only after establishing that neither personal safety nor pump integrity are compromised by such practices.



Before attempting to open or service the pump:

1. Familiarize yourself with this manual.
2. Disconnect or lock out the power source to ensure that the pump will remain inoperative.
3. Allow the pump to completely cool if overheated.
4. Check the temperature before opening any covers, plates, or plugs.
5. Close the suction and discharge valves.
6. Vent the pump slowly and cautiously.
7. Drain the pump.



This pump may be used to handle materials which could cause illness through direct exposure or emitted fumes. Wear adequate protective clothing when working on the pump or piping.



Death or serious personal injury and damage to the pump or components can occur if proper lifting procedures are not observed. Make certain that hoists, chains, slings or cables are in good working condition and of sufficient capacity and that they are positioned so that loads will be balanced and the pump or components will not be damaged when lifting. Suction and discharge hoses and piping must be removed from the pump before lifting. Lift the pump or component only as high as necessary and keep personnel away from suspended objects.



Use **Only Genuine Gorman–Rupp** replacement parts. Failure to do so may create a hazard and damage the pump or diminish optimal pump performance. Any such hazard, damage or diminished performance is not covered by the warranty.

### NOTE

*When appropriate recycling facilities are available, the user should recycle components and fluids when doing any routine maintenance / repairs and also at the end of the pump's useful life. All other components and fluids shall be disposed of according to all applicable codes and regulations.*

### Cleanout Access and Suction Check Valve Removal

(Figure E–1)

Before attempting to service the pump, remove the casing drain plug (23) and drain the pump. Clean and reinstall the drain plug.

For cleanout access, loosen the clamp screws (8) and clamp bars (6) securing the cleanout cover (9) to the suction head (31).

To remove the check valve assembly, reach through the cleanout opening and remove the hardware securing the check valve to the valve body and suction head.

### NOTE

*An alternate method of removing the check valve assembly is to remove the hardware securing the check valve housing (3) to the suction piping. Disconnect the shoulder-type coupling (4) and separate the valve housing and check valve from the suction head. Separate the check valve from the valve body as described above.*

Replace the cleanout cover gasket (5) before reinstalling the cover.

### Suction Head and Wear Plate Removal

(Figure E–1)

To remove the suction head, support it with a suitable hoist and sling and remove the hardware (24, 25, 26 and 27) securing it to the pump casing. Remove the suction head and O-ring (22).

Remove the wear plate insert (32).

To remove the wear plate (20), position a wood or soft metal wedge between the impeller vanes and the wear plate and tap the wedge with a hammer. Turn the impeller every 45°, repeating the process until the wear plate is “walked” out of the pump casing.

### NOTE

*If the pump is to be completely disassembled, the wear plate can also be easily removed after removing the rotating assembly (2). Use a suitably sized piece of wood to tap the wear plate out of the casing through the rotating assembly opening.*

### Rotating Assembly Removal

(Figure E–2)

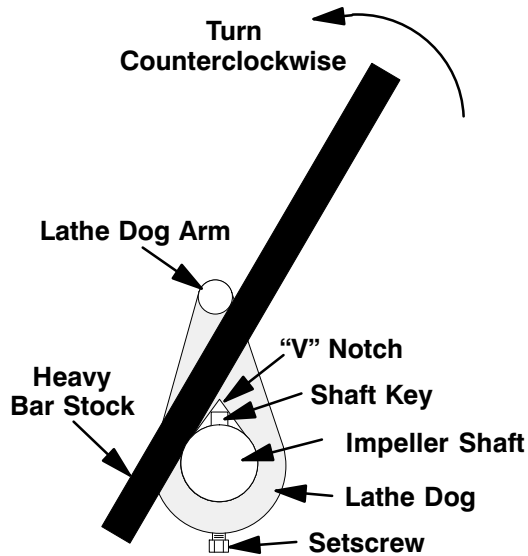
The rotating assembly (2, Figure 1) may be removed from either side of the casing; however, it is recommended that it be removed through the suction head opening.

The impeller (1) should be loosened while the rotating assembly is still secured to the pump casing. Before loosening the impeller, remove the seal cavity drain plug (20) and drain the seal lubricant. This will prevent the oil in the seal cavity from escaping as the impeller is loosened. Clean and reinstall the seal cavity drain plug.

Immobilize the impeller by wedging a block of wood between the vanes, and remove the impeller capscrew and washer (31 and 32). Install a lathe dog on the drive end of the shaft (28) with the “V” notch positioned over the shaft keyway.

With the impeller rotation still blocked, strike the lathe dog sharply in a counterclockwise direction (when facing the drive end of the shaft). The impeller may also be loosened by using a long piece of heavy bar stock to pry against the arm of the lathe dog in a counterclockwise direction (when facing the drive end of the shaft) as shown in Figure E–3.

**Use caution** not to damage the shaft or keyway. When the impeller breaks loose, remove the lathe dog and wood block and unscrew the impeller from the shaft.



**Figure E-3. Loosening Impeller**

Inspect the impeller and replace it if cracked or badly worn. Slide the impeller adjusting shims (2) off the impeller shaft. Tie and tag the shims, or measure and record their thickness for ease of reassembly.

**(Figure E-1)**

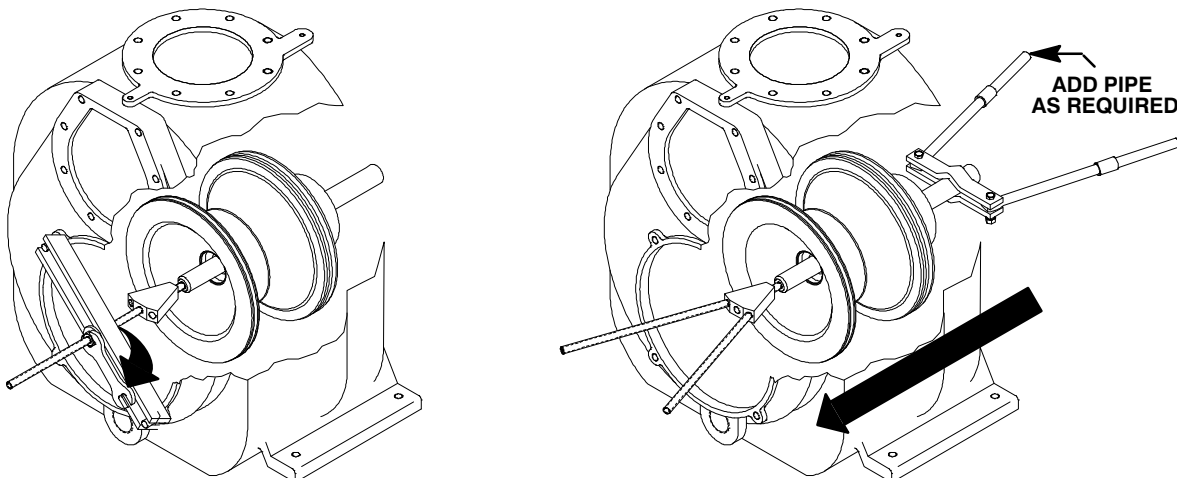
An optional disassembly tool for removing and installing the rotating assembly is available from the

factory. If improvised tools are used, be sure they are heavy enough for safe use and will not damage the pump.

Remove the inner hardware (16 and 17) from the casing ring (12). If the removal tool is used, follow the instructions packaged with it, and pull the rotating assembly from the pump casing (see Figure E-3 for removal tool use). If the removal tool is not used, install three of the inner capscrews in the jacking holes in the casing ring, and use them to press the rotating assembly into the pump casing until the bearing housing is free.

Remove the jacking screws from the casing ring. Remove the outer hardware (15 and 16) and shim sets (13). Separate the casing ring from the pump casing. Tie and tag the shim sets for ease of reassembly.

After the rotating assembly is loosened, screw a 5/8-11 UNC X 16 inch long threaded rod into the hole in the impeller shaft. Support the drive end of the shaft with a 1-13/16" (46 mm) minimum I.D. piece of pipe or a set of handles as shown in Figure E-4 and slide the complete rotating assembly through the suction head opening. Once free, use a suitable hoist and sling and attach it to the lifting eye provided at the top of the bearing housing to move the rotating assembly to a suitable work area for further disassembly.



**Figure E-4. Rotating Assembly Removal With Tool**

## Impeller Removal

### (Figure E-2)

Unscrew the impeller from the shaft in a counter-clockwise direction (when facing the impeller). Use caution when unscrewing the impeller; tension on the shaft seal spring will be released as the impeller is removed.

Remove the impeller adjusting shims (2). Tie and tag the shims or measure and record their thickness for ease of reassembly.

## Seal Removal and Disassembly

### (Figure E-2)

Slide the integral shaft sleeve and rotating portion of the seal off the shaft as a unit.

Use a pair of stiff wires with hooked ends to remove the stationary element and seat.

An alternate method of removing the stationary portion of the seal is to remove the hardware (12 and 13) and separate the seal plate (5) and gasket (8) from the bearing housing (14). Remove the seal plate O-ring (33) and bearing housing O-rings (11 and 33A).

Position the seal plate on a flat surface with the impeller side down. Use a wooden dowel or other suitable tool to press on the back side of the stationary seat until the seat, O-rings, and stationary element can be removed.

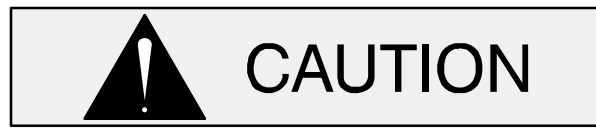
Inspect the wear plate assembly (4) for excessive wear or scoring. If replacement is required, remove the hardware (6 and 7) securing it to the seal plate.

If no further disassembly is required, refer to **Seal Installation**.

## Shaft and Bearing Removal and Disassembly

### (Figure E-2)

When the pump is properly operated and maintained, the bearing housing should not require disassembly. Disassemble the shaft and bearings **only** when there is evidence of wear or damage.



Shaft and bearing disassembly in the field is not recommended. These operations should be performed only in a properly equipped shop by qualified personnel.

Remove the bearing housing drain plug (20A) and drain the lubricant. Clean and reinstall the drain plug.

Disengage the hardware (6 and 22) and remove the bearing cap (23), O-ring (24) and oil seal (10B) from the shaft. Press the oil seal from the bearing cap.

Place a block of wood against the impeller end of the shaft (28) and tap the shaft and assembled bearings (26 and 29) from the bearing housing.

After removing the shaft and bearings, clean and inspect the bearings **in place** as follows.



To prevent damage during removal from the shaft, it is recommended that bearings be cleaned and inspected **in place**. It is **strongly** recommended that the bearings be replaced **any** time the shaft and bearings are removed.

Clean the bearing housing, shaft and all component parts (except the bearings) with a soft cloth soaked in cleaning solvent. Inspect the parts for wear or damage and replace as necessary.



**Most cleaning solvents are toxic and flammable. Use them only in a well ventilated area free from excessive heat, sparks, and flame. Read and follow all precautions printed on solvent containers.**

Clean the bearings thoroughly in **fresh** cleaning solvent. Dry the bearings with filtered compressed air and coat with light oil.



Bearings must be kept free of all dirt and foreign material. Failure to do so will greatly shorten bearing life. **Do not** spin dry bearings. This may scratch the balls or races and cause premature bearing failure.

Rotate the bearings by hand to check for roughness or binding and inspect the bearing balls. If rotation is rough or the bearing balls are discolored, replace the bearings.

The bearing tolerances provide a tight press fit onto the shaft and a snug slip fit into the bearing housing. Replace the bearings, shaft, or bearing housing if the proper bearing fit is not achieved.

If bearing replacement is required, remove the outboard bearing retaining ring (25) and use a bearing puller or a press to remove the bearings from the shaft.

Press the oil seals (10 and 10A) from the bearing housing bore.

### Shaft and Bearing Reassembly and Installation

(Figures E-2 and E-4)

Clean the bearing housing, shaft and all component parts (except the bearings) with a soft cloth soaked in cleaning solvent. Inspect the parts for wear or damage as necessary.

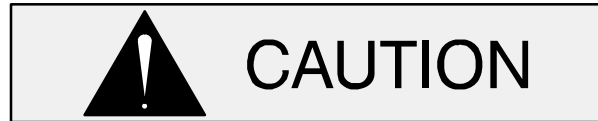


**Most cleaning solvents are toxic and flammable. Use them only in a well ventilated area free from excessive heat, sparks, and flame. Read and follow all precautions printed on solvent containers.**

Inspect the shaft for distortion, nicks or scratches, or for thread damage on the impeller end. Dress

small nicks and burrs with a fine file or emery cloth. Replace the shaft if defective.

Position the inboard oil seal (10A) in the bearing housing bore with the lip positioned as shown in Figure E-2. Press the oil seal into the housing until the face is **just flush** with the machined surface inside the housing.



To prevent damage during removal from the shaft, it is recommended that bearings be cleaned and inspected **in place**. It is **strongly** recommended that the bearings be replaced **any** time the shaft and bearings are removed.

The bearings may be heated to ease installation. An induction heater, hot oil bath, electric oven, or hot plate may be used to heat the bearings. Bearings should **never** be heated with a direct flame or directly on a hot plate.

### NOTE

*If a hot oil bath is used to heat the bearings, both the oil and the container must be **absolutely** clean. If the oil has been previously used, it must be **thoroughly** filtered.*

Heat the bearings to a uniform temperature **no higher than 250° F (120° C)** and slide the bearings onto the shaft, one at a time, until they are fully seated. This should be done quickly, in one continuous motion, to prevent the bearings from cooling and sticking on the shaft.



**Use caution when handling hot bearings to prevent burns.**

### NOTE

*Position the inboard bearing (29) on the shaft as indicated by the following illustration.*

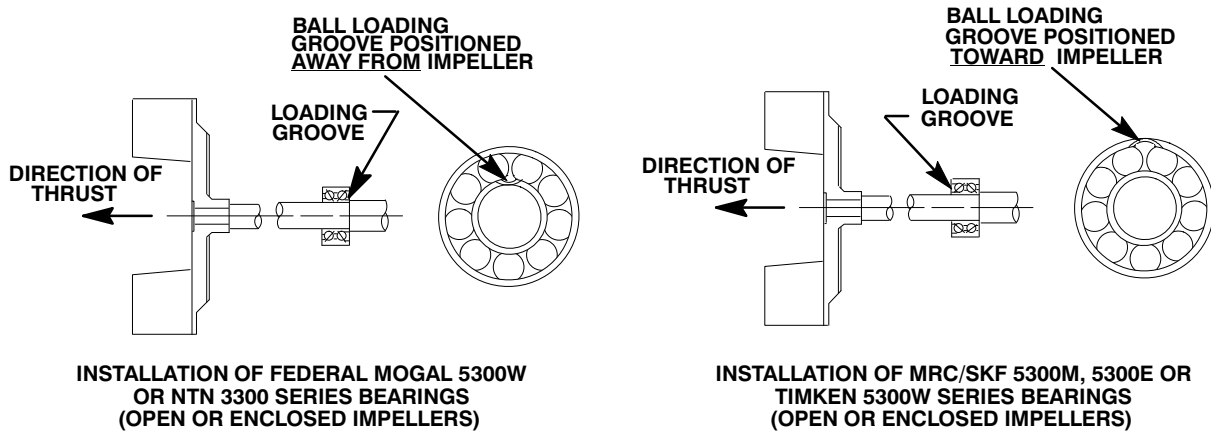


Figure E-5. Inboard Bearing Positioning

**NOTE**

*Position the outboard bearing (26) on the shaft with the retaining ring in the outer race toward the drive end of the shaft.*

After the bearings have been installed and allowed to cool, check to ensure that they have not moved away from the shaft shoulders in shrinking. If movement has occurred, use a suitably sized sleeve and a press to reposition the bearings against the shaft shoulders.

If heating the bearings is not practical, use a suitably sized sleeve and a press to install the bearings on the shaft.

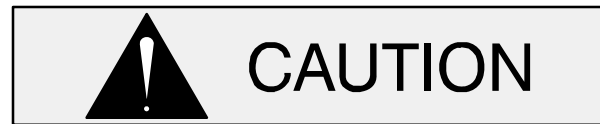


When installing the bearings onto the shaft, **never** press or hit against the outer race, balls, or ball cage. Press **only** on the inner race.

Secure the outboard bearing on the shaft with the bearing retaining ring (25).

It is recommended that a sleeve be positioned against the inboard oil seal (10A) to prevent the lip of the oil seal from rolling as the shaft and bearings are installed in the bearing housing. The O.D. of the sleeve should be just smaller than the bearing housing bore, while the I.D. of the sleeve should be just larger than the O.D. of the lip seal area of the shaft.

With the lip seal sleeve in place, lubricate the lip seal area of the shaft and slide the shaft and assembled bearings into the bearing housing until the retaining ring on the outboard bearing seats against the bearing housing. Remove the lip seal sleeve.



When installing the shaft and bearings into the bearing bore, push against the outer race. **Never** hit the balls or ball cage.

Position the outboard oil seal (10) in the bearing housing with the lip positioned as shown in Figure E-2. Press the oil seal into the bearing housing until it is **just flush** with the machined surface on the bearing housing.

Press the oil seal (10B) into the bearing cap (23) with the lip positioned as shown in Figure E-2. Replace the bearing cap O-ring (24) and secure the bearing cap to the bearing housing with the hardware (6 and 22). Be careful not to damage the oil seal lip on the shaft keyway.

Lubricate the bearing housing as indicated in **LUBRICATION** at the end of this section.

**Seal Reassembly and Installation**

**(Figures E-2, E-6, E-7 and E-8)**

Clean the seal cavity and shaft with a cloth soaked in fresh cleaning solvent.





## WARNING!

**Most cleaning solvents are toxic and flammable. Use them only in a well ventilated area free from excessive heat, sparks, and flame. Read and follow all precautions printed on solvent containers.**

The seal is not normally reused because wear patterns on the finished faces cannot be realigned during reassembly. This could result in premature failure. If necessary to reuse an old seal in an emergency, **carefully** wash all metallic parts in fresh cleaning solvent and allow to dry thoroughly.

Handle the seal parts with extreme care to prevent damage. Be careful not to contaminate precision finished faces; even fingerprints on the faces can shorten seal life. If necessary, clean the faces with a

non-oil based solvent and a clean, lint-free tissue. Wipe **lightly** in a concentric pattern to avoid scratching the faces.

Inspect the seal components for wear, scoring, grooves, and other damage that might cause leakage. Inspect the seal area of the impeller shaft, and replace it if badly damaged. Dress any small scratches with a fine file or emery cloth. If any components are worn, replace the complete seal; **never mix old and new seal parts.**

If a replacement seal is being used, remove it from the container and inspect the precision finished faces to ensure that they are free of any foreign matter.

To ease installation of the seal, lubricate the bellows and stationary seat O-rings with water or a very **small** amount of oil, and apply a drop of light lubricating oil on the finished faces. Assemble the seal as follows, (see Figure E-6).

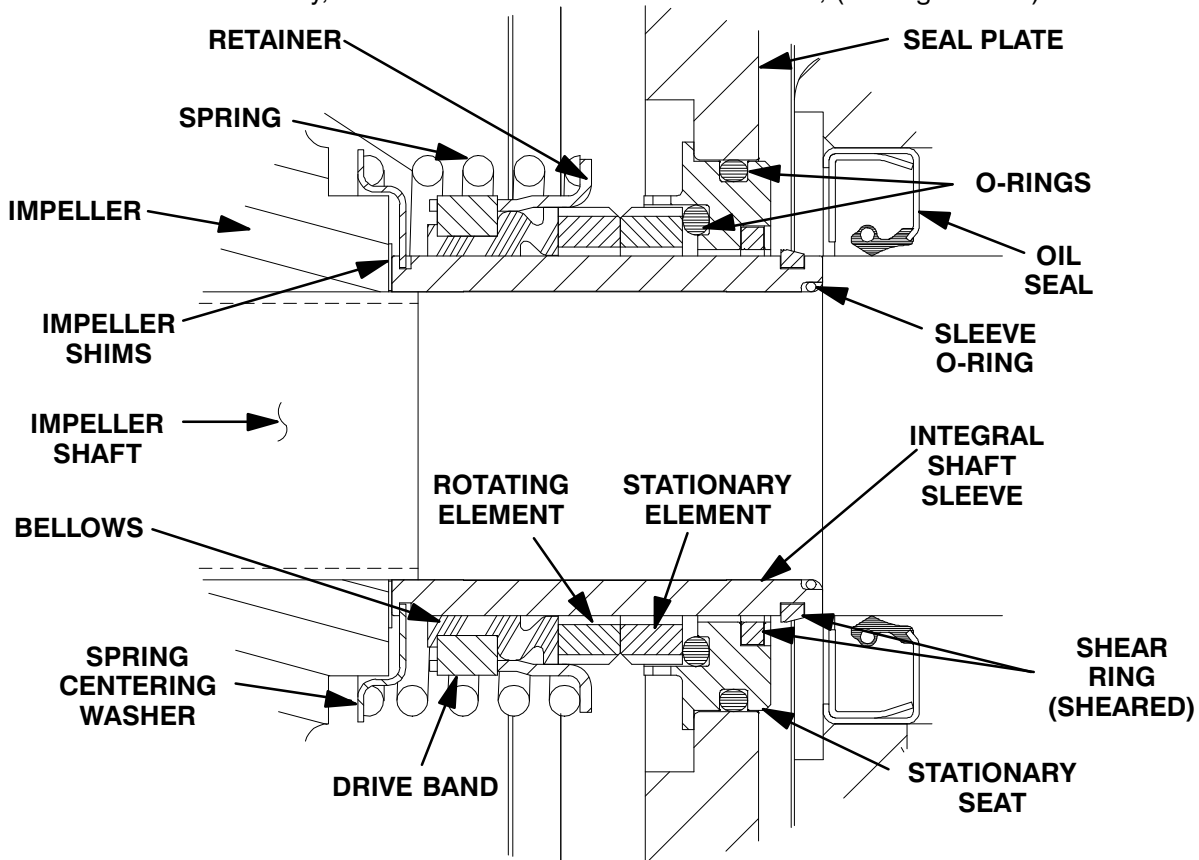


Figure E-6. Seal Assembly



## CAUTION

This seal is not designed for operation at

temperatures above 160°F (71°C). Do not use at higher operating temperatures.

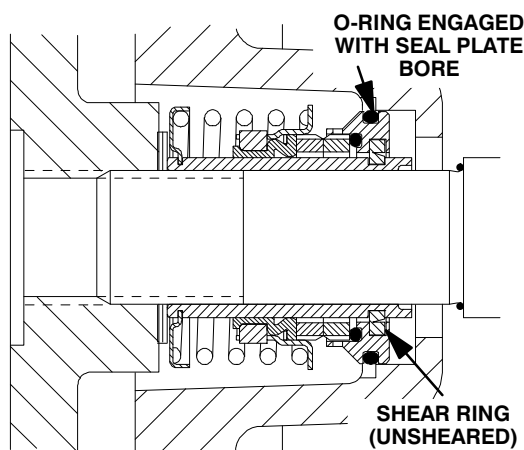
If the wear plate (4) was removed, secure a new wear plate to the seal plate (5) with the hardware (6 and 7).

If the seal plate was removed, install the seal plate gasket (8) and bearing housing O-ring (11). Lubricate the O-ring with light grease. Position the seal plate over the shaft and secure it to the bearing housing with the hardware (12 and 13).

To prevent damaging the shaft sleeve O-ring (30) on the shaft threads, cover the threads with electrical or duct tape. Slide the O-ring over the shaft until it seats against the shaft shoulder. Remove the tape covering the threads. Check to ensure that the shaft threads are free of any tape residue and clean as required before proceeding with seal installation.

When installing a new cartridge seal assembly, remove the seal from the container, and lubricate the external stationary seat O-ring with light oil. Slide the seal assembly onto the shaft until the external stationary seat O-ring engages the bore in the seal plate.

Clean and inspect the impeller as described in **Impeller Installation and Adjustment**. Install the full set of impeller shims (2) provided with the seal, and screw the impeller onto the shaft until it is seated against the seal (see Figure E-7).



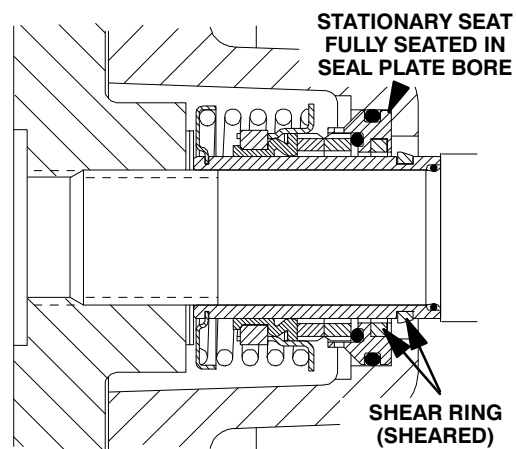
**Figure E-7. Seal Partially Installed**

Continue to screw the impeller onto the shaft. This will press the stationary seat into the seal plate bore.

## NOTE

*A firm resistance will be felt as the impeller presses the stationary seat into the seal plate bore.*

As the stationary seat becomes fully seated, the seal spring compresses, and the shaft sleeve will break the nylon shear ring. This allows the sleeve to slide down the shaft until seated against the shaft shoulder. Continue to screw the impeller onto the shaft until the impeller, shims, and sleeve are fully seated against the shaft shoulder (see Figure E-8).



**Figure E-8. Seal Fully Installed**

Measure the impeller-to-seal plate clearance, and remove impeller adjusting shims to obtain the proper clearance as described in **Impeller Installation and Adjustment**.

**If necessary to reuse an old seal** in an emergency, carefully separate the rotating and stationary seal faces from the bellows retainer and stationary seat.



A new seal assembly should be installed **any time** the old seal is removed from the pump. Wear patterns on the finished faces cannot be realigned during reassembly. Reusing an old seal could result in premature failure.

Handle the seal parts with extreme care to prevent damage. Be careful not to contaminate precision finished faces; even fingerprints on the faces can shorten seal life. If necessary, clean the faces with a non-oil based solvent and a clean, lint-free tissue. Wipe **lightly** in a concentric pattern to avoid scratching the faces.

**Carefully** wash all metallic parts in fresh cleaning solvent and allow to dry thoroughly.



**Do not** attempt to separate the rotating portion of the seal from the shaft sleeve when reusing an old seal. The rubber bellows will adhere to the sleeve during use, and attempting to separate them could damage the bellows.

Inspect the seal components for wear, scoring, grooves, and other damage that might cause leakage. Inspect the integral shaft sleeve for nicks or cuts on either end. If any components are worn, or the sleeve is damaged, replace the complete seal; **never mix old and new seal parts.**

Install the stationary seal element in the stationary seat. Press this stationary subassembly into the seal plate bore until it seats squarely against the bore shoulder. A push tube made from a piece of plastic pipe would aid this installation. The I.D. of the pipe should be slightly larger than the O.D. of the shaft sleeve.

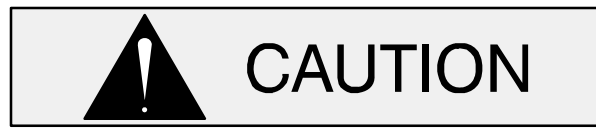
Slide the rotating portion of the seal (consisting of the integral shaft sleeve, spring centering washer, spring, bellows and retainer, and rotating element) onto the shaft until the seal faces contact.

Proceed with **Impeller Installation and Adjustment.**

### Impeller Installation

#### (Figure E-2)

Inspect the impeller and replace it if cracked or badly worn. Inspect the impeller and shaft threads for dirt or damage and clean or dress the threads as required.



The shaft and impeller threads **must** be completely clean before reinstalling the impeller. Even the slightest amount of dirt on the threads can cause the impeller to seize to the shaft, making future removal difficult or impossible without damage to the impeller or shaft.

Install the same thickness of impeller adjusting shims (2) as previously removed. Apply 'Never-Seez' or equivalent compound to the shaft threads and screw the impeller onto the shaft until tight. **Be sure** the seal spring seats squarely over the shoulder on the back side of the impeller.

#### NOTE

*At the slightest sign of scraping, immediately back the impeller off, and check the threads for dirt. **Do not** try to force the impeller onto the shaft.*

A clearance of .020 to .025 inch (0,51 to 0,64 mm) between the impeller and the wear plate is recommended for maximum pump efficiency. Measure this clearance and add or remove impeller adjusting shims as required.

#### NOTE

*If the rotating assembly has been installed in the pump casing, this clearance may be measured by reaching through the priming port with a feeler gauge.*

After the rotating assembly is installed in the pump casing, coat the threads of the impeller capscrew (32) with 'Never-Seez' or equivalent compound, and install the impeller washer (31) and capscrew; torque the capscrew to 90 ft. lbs. (1080 in. lbs. or 12,4 m. kg.).

### Rotating Assembly Installation

#### (Figure E-1)

Install the bearing housing and seal plate O-rings (19) and lubricate them with light grease. Slide the rotating assembly into the pump casing using the installation tool. **Be careful** not to damage the O-rings.

Install the pump casing ring (14) and secure it to the rotating assembly with the inner hardware (16 and 17).

### NOTE

*The inner capscrews are 1/4 inch (3,2 mm) shorter than the outer capscrews.*

---

Install an equal thickness of rotating assembly shims (13) under the pump casing ring and secure the ring to the pump casing with the outer hardware (15 and 16).

### NOTE

*If the pump has been completely disassembled, it is recommended that the wear plate (20) and suction head (31) be reinstalled at this point. The suction head and wear plate must be in place to adjust the impeller face clearance.*

---

A clearance of .020 to .025 inch (0,51 to 0,64 mm) between the impeller and the wear plate is also recommended for maximum pump efficiency. This clearance can be obtained by removing an equal amount of shims from each rotating assembly shim set (13) until the impeller scrapes against the wear plate when the shaft is turned by hand. After the impeller scrapes, add approximately .020 (0,51 mm) of shims to each shim set.

### NOTE

*An alternate method of adjusting this clearance is to reach through the suction port with a feeler gauge and measure the gap. Add or subtract rotating assembly shims accordingly.*

---

## Suction Head and Wear Plate Installation

### (Figure E–1)

Clean any scale or debris from the contacting surfaces in the pump casing that might prevent a good seal with the suction head or interfere with the wear plate (20). Inspect the wear plate for wear or damage and replace as required. Slide the wear plate into the pump casing until fully seated.

Inspect the wear plate insert (32) for wear or damage and replace as required. Position the wear plate insert in the pump casing bore with the wiper at the 6 o'clock position and slide it into the bore until it is fully seated against the wear plate.

Replace the suction head gasket (22) and lubricate it with a generous amount of No. 2 grease. Use a suitable hoist and sling to position the suction head against the pump casing and secure it with the hardware (24, 25, 26 and 27).

## Suction Check Valve Installation

### (Figure E–1)

Inspect the check valve components and replace if badly worn.

Reach through the cleanout cover opening with the check valve and secure it with the pivot caps and previously removed hardware.

### NOTE

*If the check valve housing assembly (3) was removed, install the check valve and secure the housing to the suction head with the shoulder type clamp (4).*

---

## PRESSURE RELIEF VALVE MAINTENANCE

### (Figure E–1)

The suction head is equipped with a pressure relief valve to provide additional safety for the pump and operator (refer to **Liquid Temperature And Overheating** in **OPERATION**).

It is recommended that the pressure relief valve assembly be replaced at each overhaul, or any time the pump overheats and activates the valve. **Never** replace this valve with a substitute which has not been specified or provided by the Gorman-Rupp Company.

Periodically, the valve should be removed for inspection and cleaning. When reinstalling the relief valve, apply 'Loctite Pipe Sealant With Teflon No.

592' or equivalent compound on the relief valve threads. Position the valve as shown in Figure E-1, with the discharge port pointing down.

## LUBRICATION

### Seal Assembly

#### (Figure E-2)

Before starting the pump, remove the vented plug (15) and fill the seal cavity with approximately 84 ounces (2,5 liters) of SAE No. 30 non-detergent oil, or to a level at the middle of the sight gauge (19). Clean and reinstall the vented plug. Maintain the oil at this level.

### Bearings

#### (Figure E-2)

The bearing housing was fully lubricated when shipped from the factory. Check the oil level regularly through the sight gauge (19A) and maintain it at the middle of the gauge. When lubrication is re-

quired, remove the air vent and bushing (16 and 17) and add SAE No. 30 non-detergent oil through the hole until the level is at the middle of the sight gauge. **Do not** over-lubricate. Over-lubrication can cause the bearings to over-heat, resulting in premature bearing failure.

Under normal conditions, drain the bearing housing once each year and refill with approximately 27 ounces (0,8 liter) of clean oil. Change the oil more frequently if the pump is operated continuously or installed in an environment with rapid temperature change.



Monitor the condition of the bearing lubricant regularly for evidence of rust or moisture condensation. This is especially important in areas where variable hot and cold temperatures are common.

For cold weather operation, consult the factory or a lubricant supplier for the recommended grade of oil.

**For Warranty Information, Please Visit  
[www.grpumps.com/warranty](http://www.grpumps.com/warranty)  
or call:  
U.S.: 419-755-1280  
Canada: 519-631-2870  
International: +1-419-755-1352**

**GORMAN-RUPP PUMPS**